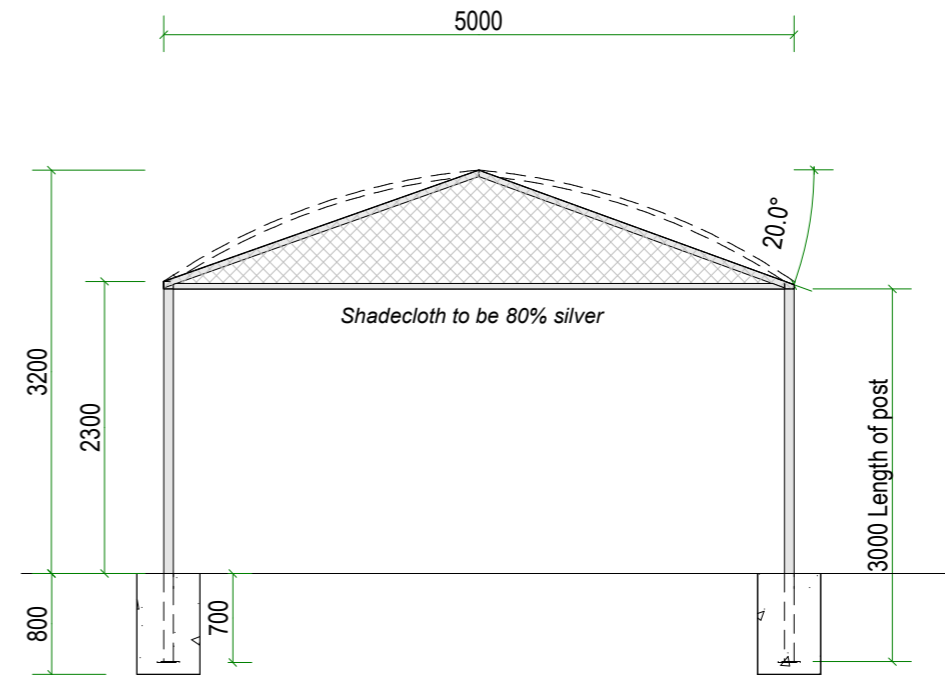
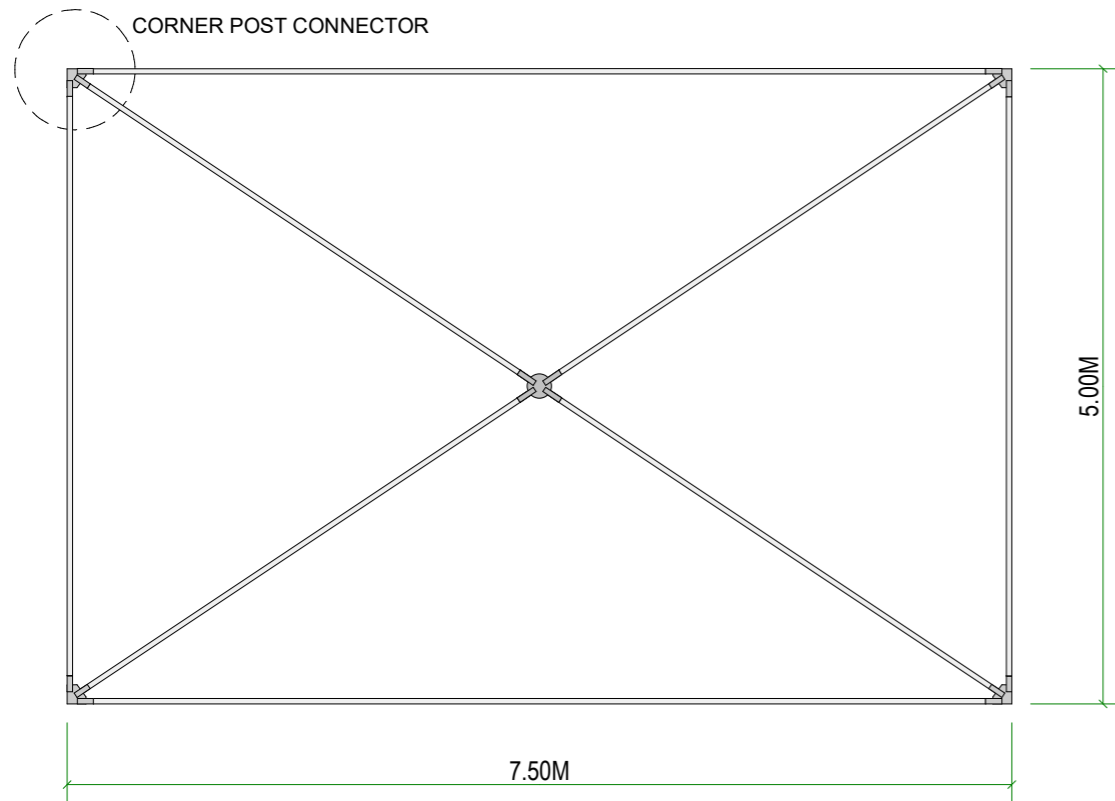


FRONT VIEW

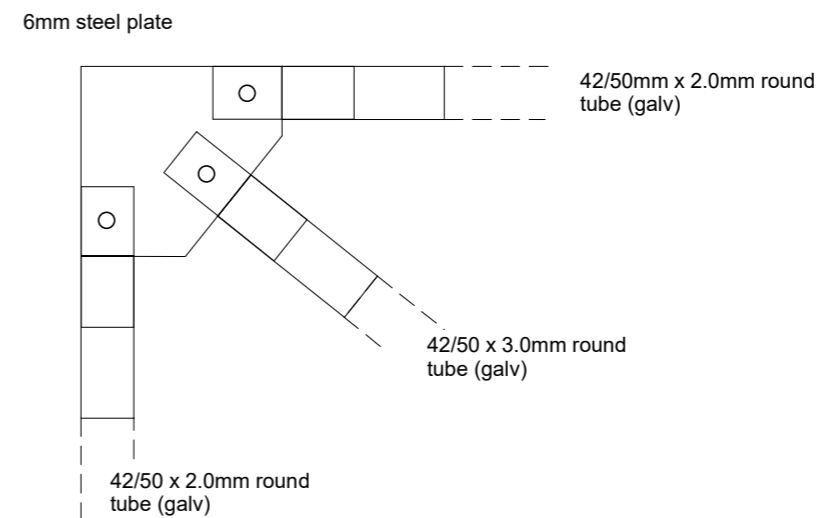


SIDE VIEW

ALL SPECIFICATIONS TO BE PROVISIONAL. CERTIFIED DESIGN TO TAKE PRECEDENCE



TOP VIEW
SHADECLOTH NOT SHOWN



DETAIL CORNER POST CONNECTOR

REVISIONS				
No.	DATE	DESCRIPTION	BY	CHECKED
1	15/02/2018	STAND DIMENSIONS REDUCED + BoQ	RdN	

KZN DEPARTMENT OF AGRICULTURE & RURAL DEVELOPMENT



ENGINEERING SERVICES

1 CEDARA ROAD | CEDARA | PRIVATE BAG X9059, PIETERMARITZBURG, 3200
PHONE: 033-33428300

CHECKED FOR KZN DARD

PR. ENGINEER DATE

CLIENT:

DRAWING 6

SHADE CLOTH COVER FOR PARKING/ WAITING AREA

USE: PROCUREMENT/BID SPECS

DRAWN	R.DE NEEF	SURVEYED	
DATE	22/10/2021	DESIGNED	R.DE NEEF
SCALE	1 : 60 (A3)	CHECKED	

DRAWING REFERENCE	CAT.	INITIALS	YEAR	SEQ. NO.
DR	A	R	D	N
			2	0
			2	1
			0	7
			0	7