



KWAZULU-NATAL PROVINCE
AGRICULTURE AND RURAL DEVELOPMENT
 REPUBLIC OF SOUTH AFRICA

INVITATION OF QUOTATION UP TO R30,000.00

QUOTATION NUMBER: R/S/2122/1775	VALIDITY PERIOD OF QUOTATION..... Days (To be completed by the Supplier)
CLOSING DATE: 07/02/2022	CLOSING TIME: 11H00
DESCRIPTION(SPECIFICATION/S) OF ITEMS/ SERVICE REQUIRED: SPARES FOR THE FALCON MOWERS. SEE ATTACHED SPEC	COMPANY NAME: TEL NO: FAX NO: CONTACT PERSON: CSD REG NUMBER MAAA.....
DOES OFFER COMPLY WITH SPECIFICATION?	YES/NO (DELETE WHICH EVER IS NOT APPLICABLE)
DOES ARTICLE COMPLY WITH SABS SPECIFICATION? HAS IT BEEN INSPECTED BY SABS?	YES/NO YES/NO (DELETE WHICH EVER IS NOT APPLICABLE)
MDELIVERY PERIOD AFTER INITIAL ORDER?	
IS THE PRICE FIRM	
WHERE ARE THE STOCK HELD? (PHYSICAL ADDRESS , PLEASE)	
QUOTATION PRICE INCLUDING VAT (VAT TO BE ADDED BY REGISTERED VAT VENDORS ONLY)	TOTAL: R
COMPANY OFFICIAL STAMP (COMPULSORY) SIGNATURE OF BIDDER DATE
NUMBER OF PAGES FAXED BACK TO THE DEPARTMENT BY THE SUPPLIER(Supplier to complete)

NB: EMAIL QUOTATION FOR THE ATTENTION OF: **BONGI MBOKAZI**
 EMAIL ADDRESS: **bongi.mbokazi@kzndard.gov.za**
 TELEPHONE NUMBER: **033 343 8312**

NB: THE ATTACHED SBD4,SBD 6.2, SBD8 & SBD9 FORMS MUST BE COMPLETED IN FULL AND RETURNED WITH ALL YOUR QUOTATION DOCUMENTS.

COMPANY NAME
 ADDRESS
 CONTACT PERSON
 CONTACT NUMBER
 FAX NUMBER
 EMAIL ADDRESS

LINE NO.	DESCRIPTION OR SPECIFICATION OF ITEM (Please be very specific and clear)	REQUIRED QUANTITY	UNIT PRICE EXCL. VAT		TOTAL PRICE	
			R	C	R	C
	<p>Spare parts required for the following Falcon models F50-150- 4 slasher (A 0021-4), F50-150-slasher (A 0021), F50-150BM blower mower (A 0025), F80-150V Haymaker (A 0032)</p> <p><u>Only genuine Falcon spare parts will be accepted</u></p>					
	F50-150-4 slasher					
1	Banana blade 12 x 90x(345)-32.5 Part nr: H1804	12				
2	Blade bolt 3/4UNC X2-1/2HT CSK Part nr: M51963	12				
3	Hard bush 19x32x14 Part nr: H71914	12				
4	Nut nyloc 3/4UNC CSK Part nr: M61921	12				
	F50-150-4 slasher					
5	Blade bolt M22-10.9 Special Part nr: M52275	12				
6	Blade banana 10x90x(440)-32.5 Part nr: H 1801	12				
7	Nut nyloc M22 Part nr: M62222	12				
8	Bolt M 14x50HT Part nr: M41450	12				
9	Nut M14 Part nr: M 31410	12				
	F50-150 BM Blower mower					
10	Blade 8X90X(425)-32.5 Part nr: H1460	8				
11	Blade bolt 3/4UNCX2-1/2HT CSK Part nr: M751963	8				
12	Bush hard 19x32x10 Part nr: H71910	8				
13	Nut nyloc ¾ UNC Part nr: M61920	8				

	F80-150V Hay maker				
14	Blade beam 10x130 PCD645 Part nr: H1451	4			
15	Blade banana 8x90x(410)-32.5 Part nr: H1806	4			
16	Blade bolt ¾ UNC X2-1/2 HT CSK Part nr: M51963	4			
17	Bush hard 19x32x14 Part nr: M71914	4			
18	Nut M16 Part nr: M31612	12			
19	Bolt M16X55HT Part nr: M41655	12			
20	Bolt M16x45 HT Part nr: M41645	4			
21	Nut nyloc ¾ UNC CSK Part nr: M61921	4			
22	Washer spring M16 Part nr: M91604	34			
	To be delivered and offloaded to Cedara Farm Services				
* LABOUR (IF APPLICABLE)					
*DELIVERY (IF APPLICABLE)					
TOTAL					
*ONLY APPLICABLE TO VAT REGISTERED SUPPLIERS 15% VAT					
TOTAL PRICE					

*VAT Registration No. (Supplier) -----
 When Required (Requester) : 30/12/2021 18/12/2021
 Where Required (Requester): Cedara Farm Services
 Contact details of requester: Yolanda
 TEL : 033-3438252

COMPANY STAMP

PRICES ARE VALID FOR

30

60

90

Mark one Box (X)

DAYS

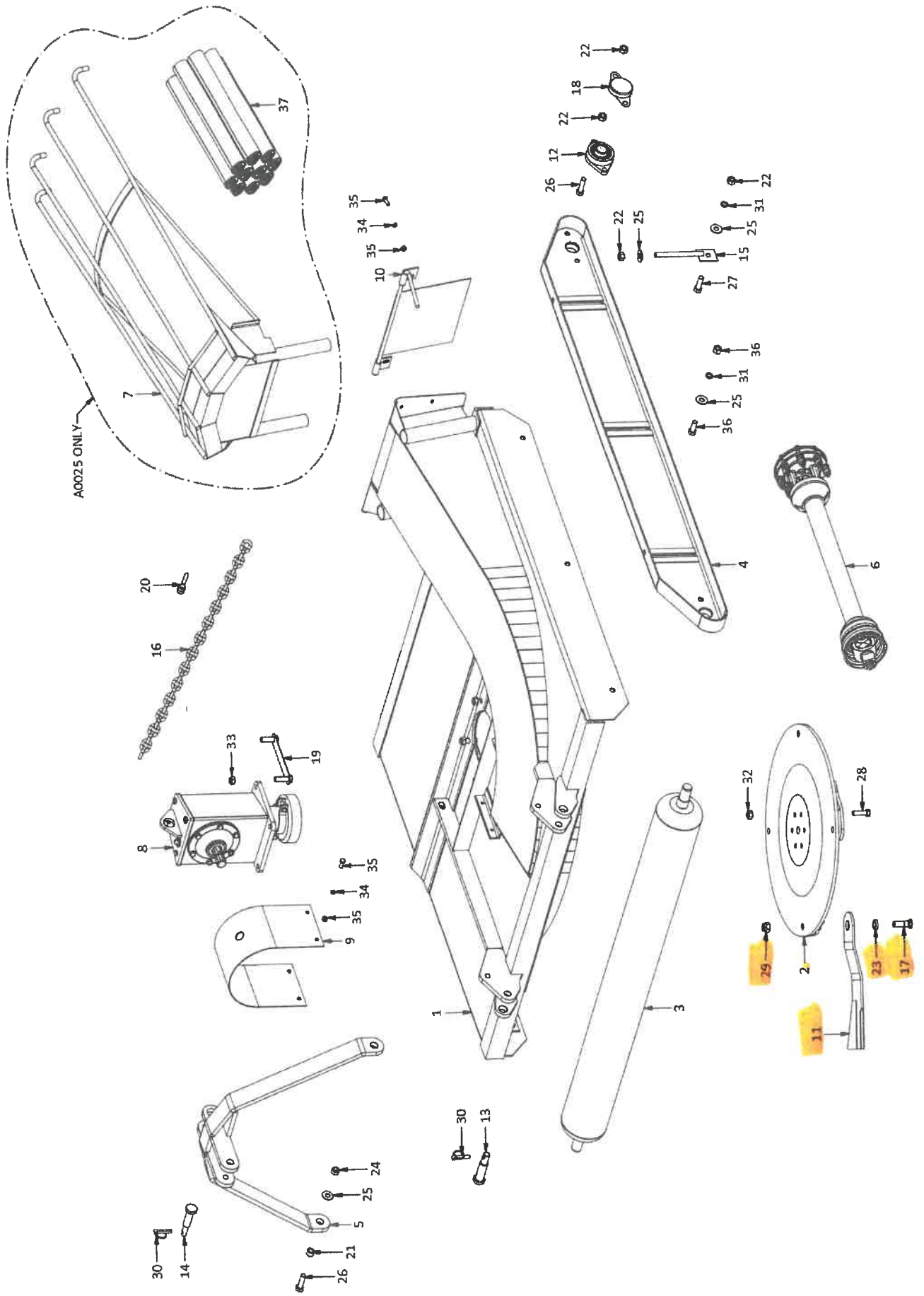
SIGNATURE

DATE

**F50-150BM Blowermower (with & without grass bag frame)
A0025 & A0093**

Item	Part No.	Description	Qty	Item	Part No.	Description
1	H0523	Deck Painted 1500	1	41	M3176	Decal Bird Falcon Medium
2	H1248A	Disc 4-3/4in PCD650	1	42	M3178	Decal Blade/Lem
3	H0302	Roller 1500 D165.0	2	43	M3172	Decal DANGER STAY AWAY - ROTATING.....
4	H0409	Side panel	2	44	M3139	Decal F50/150BM Blowermower
5	H0603	Top mast Cat1/2	1	45	M3174	Decal IMPORTANT WHEN LOADING.....
6	T600960CE112F22	PTO shaft T60 960 112 F22	1	46	M3173	Decal Lifting hook
7	H0840	F150 B/Mower Bag Ret Frame	1	47	M3175	Decal PROUD TO BE SOUTH AFRICAN
8	H1300	Gearbox F50	1	48	M3170	Decal VERY IMPORTANT BEFORE USING.....
9	H0702	PTO guard	1	49	M3117	Decal WARRANTY 2+3 WAARBORG.....
10	H0848	120 BM Chute Flap	1	50	M3003	Serial plate
11	H1460	Blade 8x90x(425)-32.5	4			
12	M0461	Bearing UCFL207	4			
13	H0645	Pin Btm link Cat2/1	2			
14	H0633	Pin Top link Cat2/1	1			
15	H0440	Height adjuster	4			
16	R0611	Chain GRS 10.0	1			
17	M51963	Blade bolt 3/4UNCx2-1/2HT CSK	4			
18	M0465	Dust cover UCFL207	4			
19	H5357	Ganged bolts M16Fx55	2			
20	M0622	Shackle 7/16in 1.5T	2			
21	H71617	Bush 16x25x17	2			
22	M31612	Nut M16	24			
23	H71910	Bush Hard 19x32x10	4			
24	M61616	Nut Nyloc M16	2			
25	M81603	Washer M16x40x3	14			
26	M41655	Bolt M16x55HT	10			
27	M41650	Bolt M16x50HT	4			
28	M41450	Bolt M14x50HT	6			
29	M61920	Nut Nyloc 3/4UNC	4			
30	FLP11	Lynchpin 11mm	3			
31	M91604	Washer Spring M16	6			
32	M31410	Nut M14	6			
33	M61616F	Nut Nyloc M16F	4			
34	M91002	Washer Spring M10	6			
35	M11025	Bolt+nut M10x25HT	12			
36	M11640	Bolt+nut M16x40HT	4			
37	H0847	Grass bag set 40% Light duty	1			
38	M3187	Decal ATTENTION If your tractor is	1			
39	M3171	Decal Baie Belangrik Alvorens U Die	1			
40	M3168	Decal Bird FALCON Large	1			

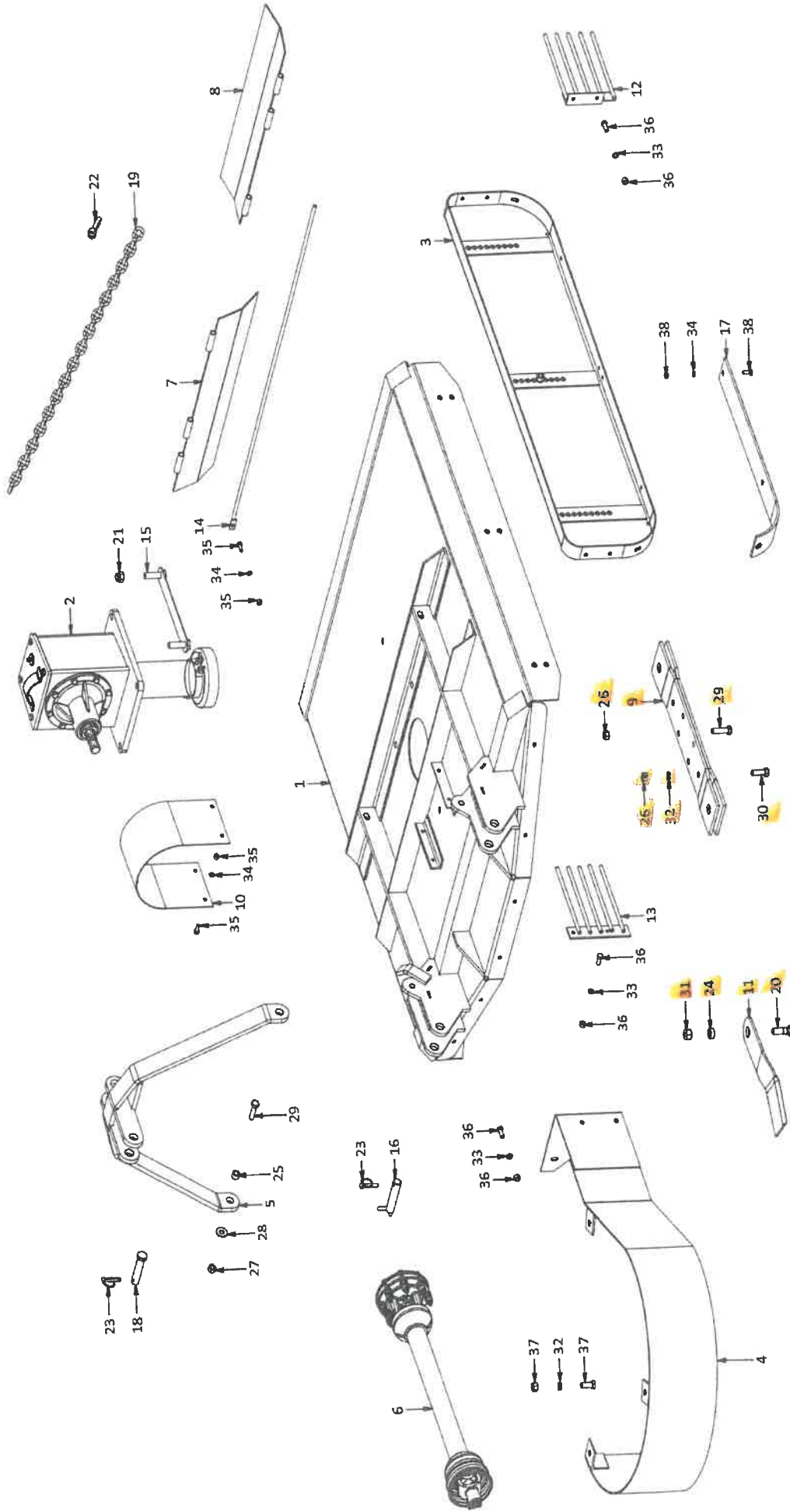
**F50-150BM Blowermower (with & without grass bag frame)
A0025 & A0093**



F80-150V Haymaker
A0032

Item	Part No.	Description	Qty	Item	Part No.	Description
1	H0532A	Painted Hull 80/150V	1	41	M3168	Decal Bird FALCON Large
2	H1401A	Gearbox F80V	1	42	M3176	Decal Bird Falcon Medium
3	H0406	Side Panel	2	43	M3178	Decal Blade/Lem
4	H0801	Scroll	1	44	M3172	Decal DANGER STAY AWAY - ROTATING.....
5	H0602	Top mast Cat2	1	45	M3146	Decal F80/150V Haymaker
6	T600960CE112F22	PTO shaft T60 960 112 F22	1	46	M3174	Decal IMPORTANT WHEN LOADING.....
7	H0204	Flap Rear 1800	1	47	M3173	Decal Lifting hook
8	H0205	Flap Rear 1800	1	48	M3175	Decal PROUD TO BE SOUTH AFRICAN
9	H1451	Blade beam 10x130 PCD645	2	49	M3170	Decal VERY IMPORTANT BEFORE USING.....
10	H0702	PTO guard	1	50	M3117	Decal WARRANTY 2+3 WAARBORG.....
11	H1806	BLADE BANANA 8x90x(410)-32.5	2	51	M3003	Serial plate
12	H0820	Fingers Left	1			
13	H0821	Fingers Right	1			
14	H0102	Pin Hinge 1500	1			
15	H1448	Ganged bolts 3/4UNFx2-1/2	2			
16	H7115	Pin Btm link Cat2-125	2			
17	H0422	Skid runner 8x90	4			
18	H0632	Pin Top link Cat2	1			
19	R0611	Chain GR5 10.0	2			
20	M51963	Blade Bolt 3/4UNCx2-1/2HT CSK	2			
21	M61919	Nut Nyloc 3/4UNF	4			
22	M0622	Shackle 7/16in 1.5T	4			
23	FLP11	Lynchpin 11mm	3			
24	H71914	Bush Hard 19x32x14	2			
25	H71617	Bush 16x25x17	2			
26	M31612	Nut M16	6			
27	M61616	Nut Nyloc M16	2			
28	M81603	Washer M16x40x3	2			
29	M41655	Bolt M16x55HT	6			
30	M41645	Bolt M16x45HT	2			
31	M61921	Nut Nyloc 3/4UNC CSK	2			
32	M91604	Washer Spring M16	17			
33	M91213	Washer Spring M12	6			
34	M91002	Washer Spring M10	17			
35	M11025	Bolt+nut M10x25HT	10			
36	M11230	Bolt+nut M12x30	12			
37	M11640	Bolt+nut M16x40HT	30			
38	M21030	Plough bolt+nut M10x30HT	24			
39	M3187	Decal ATTENTION if your tractor is	1			
40	M3171	Decal Baie Belangrik Alvorens U Die	1			

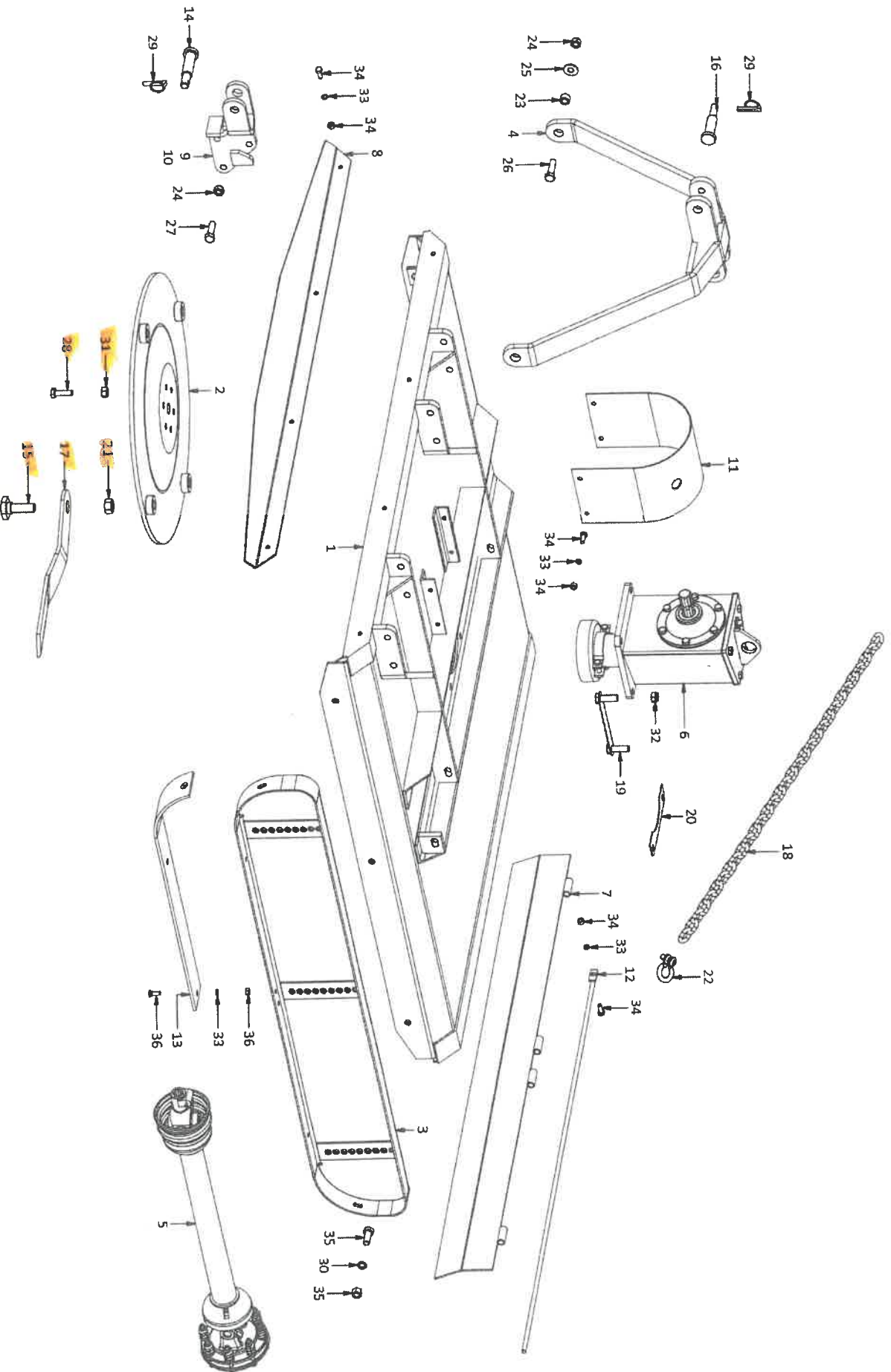
F80-150V Haymaker
A0032



F50-150-4 Slasher
A0021-4

Item	Part No.	Description	Qty	Item	Part No.	Description
1	H0520	Deck Painted 1500	1	41	M3176	Decal Bird Falcon Medium
2	H1256	Disk 4-M22 PCD650	1	42	M3178	Decal Blade/Lern
3	H0404	Side panel	2	43	M3172	Decal DANGER STAY AWAY - ROTATING.....
4	H0603	Top mast Cat1/2	1	44	M3134	Decal F50/150/4 Slasher
5	T600960CE112F22	PTO shaft T60 960 112 F22	1	45	M3174	Decal IMPORTANT WHEN LOADING.....
6	H1300	Gearbox F50	1	46	M3173	Decal Lifting hook
7	H0202	Flap Rear 1500	1	47	M3175	Decal PROUD TO BE SOUTH AFRICAN
8	H0253	Skirt 1500	1	48	M3170	Decal VERY IMPORTANT BEFORE USING.....
9	H0655	Clevis Right +stop	1	49	M3117	Decal WARRANTY 2+3 WAARBORG.....
10	H0654	Clevis Left	1	50	M8400	Operators manual Slashers
11	H0702	PTO guard	1			
12	H0102	Pin Hinge 1500	1			
13	H0422	Skid runner 8x90	4			
14	H0645	Pin Btm link Cat2/1	2			
15	M52275	Blade bolt M22-10.9 Special	4			
16	H0633	Pin Top link Cat2/1	1			
17	H1801	Blade Banana 10x90x(440)-32.5	4			
18	R0611	Chain GR5 10.0	2			
19	H5357	Ganged bolts M16Fx55	2			
20	M0623	Spacer	1			
21	M62222	Nut Nyloc M22	4			
22	M0622	Shackle 7/16in 1.5T	2			
23	H71617	Bush 16x25x17	2			
24	M61616	Nut Nyloc M16	6			
25	M81603	Washer M16x40x3	2			
26	M41655	Bolt M16x55HT	2			
27	M41650	Bolt M16x50HT	4			
28	M41450	Bolt M14x50HT	6			
29	FLP11	Lynchpin 11mm	3			
30	M91604	Washer Spring M16	6			
31	M31410	Nut M14	6			
32	M61616F	Nut Nyloc M16F	4			
33	M91002	Washer Spring M10	21			
34	M11025	Bolt+nut M10x25HT	18			
35	M11640	Bolt+nut M16x40HT	12			
36	M21030	Plough bolt+nut M10x30HT	24			
37	M3003	Serial plate	1			
38	M3187	Decal ATTENTION if your tractor is	1			
39	M3171	Decal Baie Belangrik Alvorens U Die	1			
40	M3168	Decal Bird FALCON Large	1			

F50-150-4 Slasher
A0021-4



F50-150-4 Slasher
A0021-4

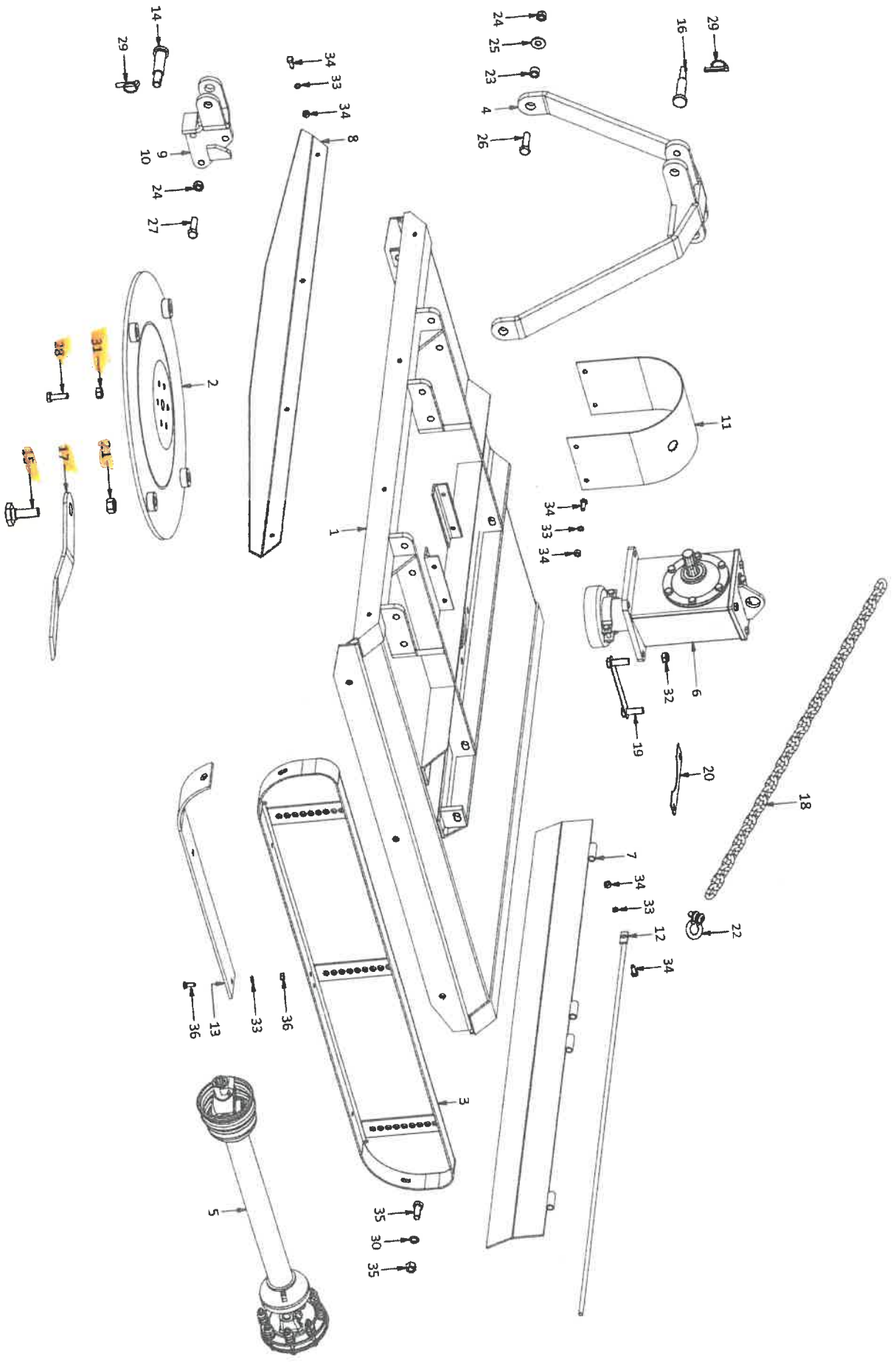
Item	Part No.	Description	Qty	Item	Part No.	Description	Qty
1	H0520	Deck Painted 1500	1	41	M3176	Decal Bird Falcon Medium	2
2	H1256	Disk 4-M22 PCD650	1	42	M3178	Decal Blade/Lem	1
3	H0404	Side panel	2	43	M3172	Decal DANGER STAY AWAY - ROTATING.....	1
4	H0603	Top mast Cat1/2	1	44	M3134	Decal F50/150/4 Slasher	1
5	T600960CE112F22	PTO shaft T60 960 112 F22	1	45	M3174	Decal IMPORTANT WHEN LOADING.....	1
6	H1300	Gearbox F50	1	46	M3173	Decal Lifting hook	1
7	H0202	Flap Rear 1500	1	47	M3175	Decal PROUD TO BE SOUTH AFRICAN	1
8	H0253	Skirt 1500	1	48	M3170	Decal VERY IMPORTANT BEFORE USING.....	1
9	H0655	Clevis Right +stop	1	49	M3117	Decal WARRANTY 2+3 WAARBORG.....	1
10	H0654	Clevis Left	1	50	M8400	Operators manual Slashers	1
11	H0702	PTO guard	1				
12	H0102	Pin Hinge 1500	1				
13	H0422	Skid runner 8x90	4				
14	H0645	Pin Btm link Cat2/1	2				
15	M52275	Blade bolt M22-10.9 Special	4				
16	H0633	Pin Top link Cat2/1	1				
17	H1801	Blade Banana 10x90x(440)-32.5	4				
18	R0611	Chain GR5 10.0	2				
19	H5357	Ganged bolts M16Fx55	2				
20	M0623	Spacer	1				
21	M62222	Nut Nyloc M22	4				
22	M0622	Shackle 7/16in 1.5T	2				
23	H71617	Bush 16x25x17	2				
24	M61616	Nut Nyloc M16	6				
25	M81603	Washer M16x40x3	2				
26	M41655	Bolt M16x55HT	2				
27	M41650	Bolt M16x50HT	4				
28	M41450	Bolt M14x50HT	6				
29	FLP11	Lynchpin 11mm	3				
30	M91604	Washer Spring M16	6				
31	M31410	Nut M14	6				
32	M61616F	Nut Nyloc M16F	4				
33	M91002	Washer Spring M10	21				
34	M11025	Bolt+nut M10x25HT	18				
35	M11640	Bolt+nut M16x40HT	12				
36	M21030	Plough bolt+nut M10x30HT	24				
37	M3003	Serial plate	1				
...	M3187	Decal ATTENTION if your tractor is	1				

F50-150-4 Slasher
A0021-4

Item	Part No.	Description	Qty	Item	Part No.	Description
1	H0520	Deck Painted 1500	1	41	M3176	Decal Bird Falcon Medium
2	H1256	Disk 4-M22 PCD650	1	42	M3178	Decal Blade/Lem
3	H0404	Slide panel	2	43	M3172	Decal DANGER STAY AWAY - ROTATING.....
4	H0603	Top mast Cat1/2	1	44	M3134	Decal F50/150/4 Slasher
5	T600960CE112F22	PTO shaft T60 960 112 F22	1	45	M3174	Decal IMPORTANT WHEN LOADING.....
6	H1300	Gearbox F50	1	46	M3173	Decal Lifting hook
7	H0202	Flap Rear 1500	1	47	M3175	Decal PROUD TO BE SOUTH AFRICAN
8	H0253	Skirt 1500	1	48	M3170	Decal VERY IMPORTANT BEFORE USING.....
9	H0655	Clevis Right +stop	1	49	M3117	Decal WARRANTY 2+3 WAARBORG.....
10	H0654	Clevis Left	1	50	M8400	Operators manual Slashers
11	H0702	PTO guard	1			
12	H0102	Pin Hinge 1500	4			
13	H0422	Skid runner 8x90	2			
14	H0645	Pin Btm link Cat2/1	4			
15	M52275	Blade bolt M22-10.9 Special	1			
16	H0633	Pin Top link Cat2/1	4			
17	H1801	Blade Banana 10x90x(440)-32.5	2			
18	R0611	Chain GR5 10.0	2			
19	H5357	Ganged bolts M16Fx55	1			
20	M0623	Spacer	4			
21	M62222	Nut Nylloc M22	2			
22	M0622	Shackle 7/16in 1.5T	2			
23	H71617	Bush 16x25x17	6			
24	M61616	Nut Nylloc M16	2			
25	M81603	Washer M16x40x3	2			
26	M41655	Bolt M16x55HT	4			
27	M41650	Bolt M16x50HT	6			
28	M41450	Bolt M14x50HT	3			
29	FLP11	Lynchpin 11mm	6			
30	M91604	Washer Spring M16	6			
31	M31410	Nut M14	4			
32	M61616F	Nut Nylloc M16F	21			
33	M91002	Washer Spring M10	18			
34	M11025	Bolt+nut M10x25HT	12			
35	M11640	Bolt+nut M16x40HT	24			
36	M21030	Plough bolt+nut M10x30HT	1			
37	M3003	Serial plate	1			

Serial ATTENTION if your tractor is

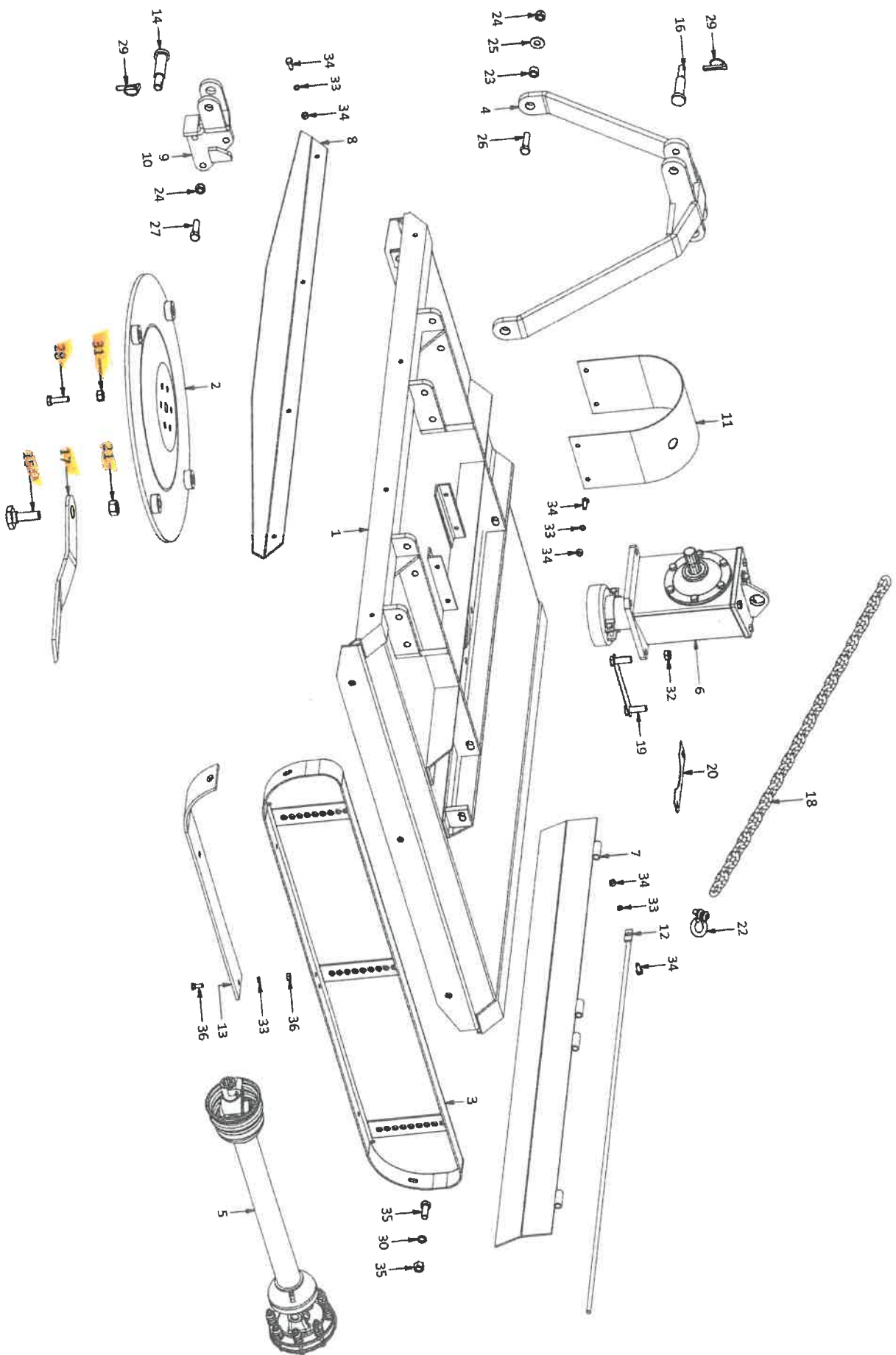
F50-150-4 Slasher
A0021-4



F50-150-4 Slasher
A0021-4

Item	Part No.	Description	Qty	Item	Part No.	Description	Qty
1	H0520	Deck Painted 1500	1	41	M3176	Decal Bird Falcon Medium	2
2	H1256	Disk 4-M22 PCD650	1	42	M3178	Decal Blade/Lem	1
3	H0404	Slide panel	2	43	M3172	Decal DANGER STAY AWAY - ROTATING.....	1
4	H0603	Top mast Cat1/2	1	44	M3134	Decal F50/150/4 Slasher	1
5	T600960CE112F22	PTO shaft T60 960 112 F22	1	45	M3174	Decal IMPORTANT WHEN LOADING.....	1
6	H1300	Gearbox F50	1	46	M3173	Decal Lifting hook	1
7	H0202	Flap Rear 1500	1	47	M3175	Decal PROUD TO BE SOUTH AFRICAN	1
8	H0253	Skirt 1500	1	48	M3170	Decal VERY IMPORTANT BEFORE USING.....	1
9	H0655	Clevis Right +stop	1	49	M3117	Decal WARRANTY 2+3 WAARBORG.....	1
10	H0654	Clevis Left	1	50	M8400	Operators manual Slashers	1
11	H0702	PTO guard	1				
12	H0102	Pin Hinge 1500	1				
13	H0422	Skid runner 8x90	1				
14	H0645	Pin Brn link Cat2/1	4				
15	M52275	Blade bolt M22-10.9 Special	2				
16	H0633	Pin Top link Cat2/1	4				
17	H1801	Blade Banana 10x90x(440)-32.5	1				
18	R0611	Chain GR5 10.0	4				
19	H5357	Ganged bolts M16x55	2				
20	M0623	Spacer	2				
21	M62222	Nut Nyloc M22	1				
22	M0622	Shackle 7/16in 1.5T	4				
23	H71617	Bush 16x25x17	2				
24	M61616	Nut Nyloc M16	2				
25	M81603	Washer M16x40x3	6				
26	M41655	Bolt M16x55HT	2				
27	M41650	Bolt M16x50HT	2				
28	M41450	Bolt M14x50HT	4				
29	FLP11	Lynchpin 11mm	6				
30	M91604	Washer Spring M16	3				
31	M31410	Nut M14	6				
32	M61616F	Nut Nyloc M16F	6				
33	M91002	Washer Spring M10	4				
34	M11025	Bolt+nut M10x25HT	21				
35	M11640	Bolt+nut M16x40HT	18				
36	M21030	Plough bolt+nut M10x30HT	12				
37	M3003	Serial plate	24				
38	M3187	Decal ATTENTION If your tractor is	1				
39	M3171	Decal Baie Belangrik Alworens U Die	1				
40	M3168	Decal Bird FALCON Large	1				

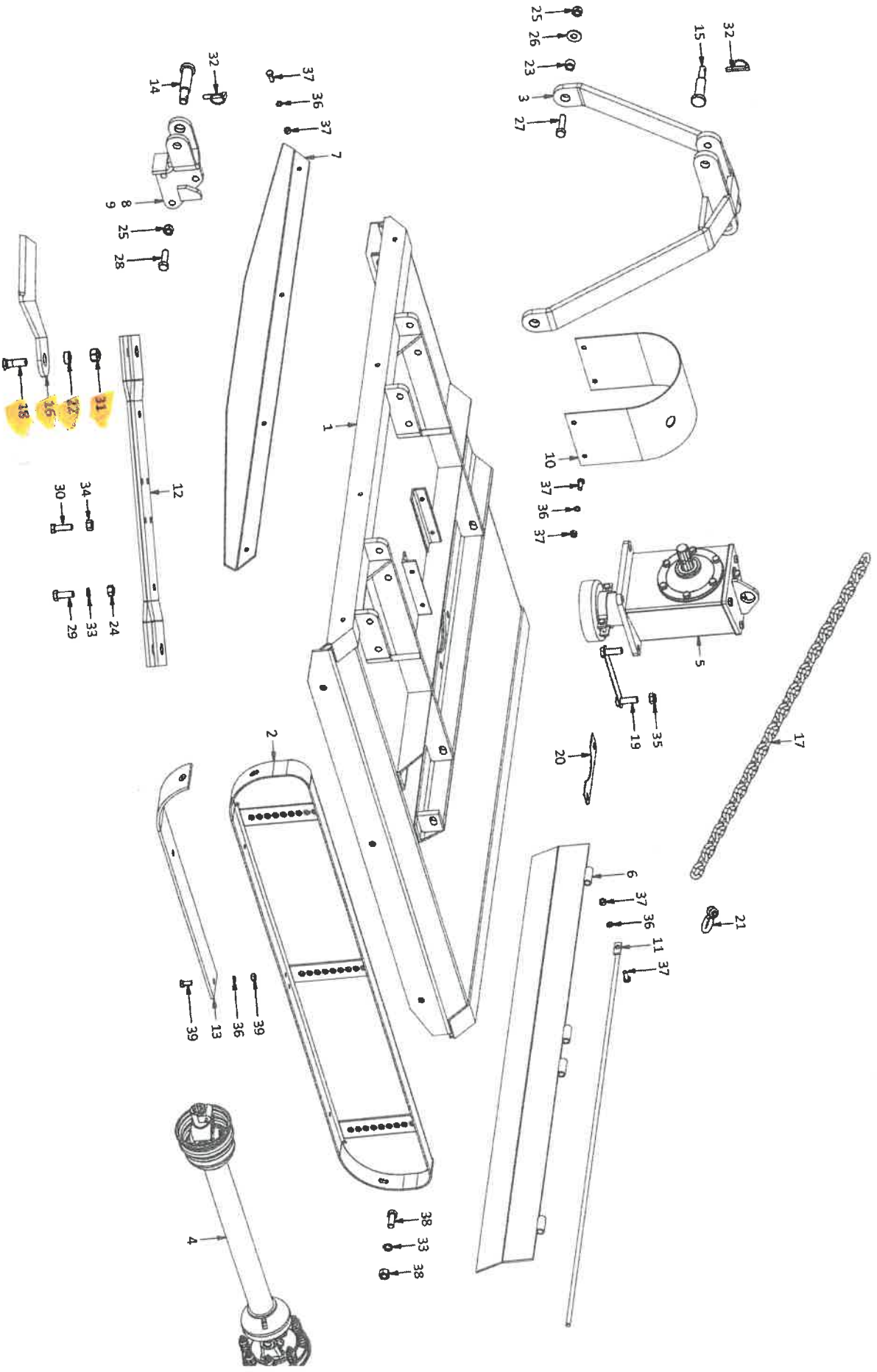
F50-150-4 Slasher
A0021-4



F50-150 Slasher
A0021

Item	Part No.	Description	Qty	Item	Part No.	Description	Qty
1	H0520	Deck Painted 1500	1	41	M3187	Decal ATTENTION if your tractor is	1
2	H0404	Side panel	2	42	M3171	Decal Bate Belangrik Alvorens U Die	1
3	H0603	Top mast Cat1/2	1	43	M3168	Decal Bird FALCON Large	2
4	T600960CE112F22	PTO shaft T60 960 112 F22	1	44	M3176	Decal Bird Falcon Medium	1
5	H1300	Gearbox F50	1	45	M3178	Decal Blade/Lem	1
6	H0202	Flap Rear 1500	1	46	M3172	Decal DANGER STAY AWAY - ROTATING.....	1
7	H0253	Skirt 1500	1	47	M3133	Decal F50/150 Slasher	1
8	H0655	Clevis Right +stop	1	48	M3174	Decal IMPORTANT WHEN LOADING.....	1
9	H0654	Clevis Left	1	49	M3173	Decal Lifting hook	1
10	H0702	PTO guard	1	50	M3175	Decal PROUD TO BE SOUTH AFRICAN	1
11	H0102	Pin Hinge 1500	2	51	M3170	Decal VERY IMPORTANT BEFORE USING.....	1
12	H1351	Blade beam 10x100 PCD890	4	52	M3117	Decal WARRANTIES 2+3 WAARBORG.....	1
13	H0422	Skid runner 8x90	2	53	M8400	Operator's manual Slashers	1
14	H0645	Pin Burn link Cat2/1	1				
15	H0633	Pin Top link Cat2/1	2				
16	H1804	Blade Banana 12x90x(345)-32.5	1				
17	R0611	Chain GRS 10.0	2				
18	M51963	Blade bolt 3/4UNCx2-1/2HT CSK	2				
19	H5357	Ganged bolts M16Fx55	1				
20	M0623	Spacer	2				
21	M0622	Shackle 7/16in 1.5T	2				
22	H71914	Bush Hard 19x32x14	2				
23	H71617	Bush 16x25x17	2				
24	M31612	Nut M16	6				
25	M61616	Nut Nyloc M16	2				
26	M81603	Washer M16x40x3	2				
27	M41655	Bolt M16x55HT	4				
28	M41650	Bolt M16x50HT	2				
29	M41645	Bolt M16x45HT	4				
30	M41450	Bolt M14x50HT	2				
31	M61921	Nut Nyloc 3/4UNC CSK	3				
32	FLP11	Lynchpin 11mm	8				
33	M91604	Washer Spring M16	4				
34	M31410	Nut M14	4				
35	M61616F	Nut Nyloc M16F	21				
36	M91002	Washer Spring M10	18				
	M11025	Bolt+nut M10x25HT	12				

F50-150 Slasher
A0021



SBD 4

DECLARATION OF INTEREST

1. Any legal person, including persons employed by the state¹, or persons having a kinship with persons employed by the state, including a blood relationship, may make an offer or offers in terms of this invitation to bid (includes an advertised competitive bid, a limited bid, a proposal or written price quotation). In view of possible allegations of favouritism, should the resulting bid, or part thereof, be awarded to persons employed by the state, or to persons connected with or related to them, it is required that the bidder or his/her authorised representative declare his/her position in relation to the evaluating/adjudicating authority where-
- the bidder is employed by the state; and/or
 - the legal person on whose behalf the bidding document is signed, has a relationship with persons/a person who are/is involved in the evaluation and or adjudication of the bid(s), or where it is known that such a relationship exists between the person or persons for or on whose behalf the declarant acts and persons who are involved with the evaluation and or adjudication of the bid.
2. In order to give effect to the above, the following questionnaire must be completed and submitted with the bid.
- 2.1 Full Name of bidder or his or her representative:
- 2.2 Identity Number:.....
- 2.3 Position occupied in the Company (director, trustee, shareholder², member):
.....
- 2.4 Registration number of company, enterprise, close corporation, partnership agreement or trust:
.....
- 2.5 Tax Reference Number:
- 2.6 VAT Registration Number:
- 2.6.1 The names of all directors / trustees / shareholders / members, their individual identity numbers, tax reference numbers and, if applicable, employee / PERSAL numbers must be indicated in paragraph 3 below.

¹"State" means -

- (a) any national or provincial department, national or provincial public entity or constitutional institution within the meaning of the Public Finance Management Act, 1999 (Act No. 1 of 1999);
- (b) any municipality or municipal entity;
- (c) provincial legislature;
- (d) national Assembly or the national Council of provinces; or
- (e) Parliament.

²"Shareholder" means a person who owns shares in the company and is actively involved in the management of the enterprise or business and exercises control over the enterprise.

2.7 Are you or any person connected with the bidder presently employed by the state? **YES / NO**

2.7.1 If so, furnish the following particulars:

Name of person / director / trustee / shareholder/ member:
Name of state institution at which you or the person connected to the bidder is employed :
Position occupied in the state institution:

Any other particulars:
.....
.....
.....

2.7.2 If you are presently employed by the state, did you obtain the appropriate authority to undertake remunerative work outside employment in the public sector? **YES / NO**

2.7.2.1 If yes, did you attach proof of such authority to the bid document? **YES / NO**

(Note: Failure to submit proof of such authority, where applicable, may result in the disqualification of the bid.

2.7.2.2 If no, furnish reasons for non-submission of such proof:
.....
.....
.....

2.8 Did you or your spouse, or any of the company's directors / trustees / shareholders / members or their spouses conduct business with the state in the previous twelve months? **YES / NO**

2.8.1 If so, furnish particulars:
.....
.....
.....

2.9 Do you, or any person connected with the bidder, have any relationship (family, friend, other) with a person employed by the state and who may be involved with the evaluation and or adjudication of this bid? **YES / NO**

2.9.1 If so, furnish particulars.
.....

4 DECLARATION

I, THE UNDERSIGNED (NAME).....

CERTIFY THAT THE INFORMATION FURNISHED IN PARAGRAPHS 2 and 3 ABOVE IS CORRECT.
I ACCEPT THAT THE STATE MAY REJECT THE BID OR ACT AGAINST ME SHOULD THIS
DECLARATION PROVE TO BE FALSE.

.....
Signature

.....
Date

.....
Position

.....
Name of bidder

DECLARATION CERTIFICATE FOR LOCAL PRODUCTION AND CONTENT

This Standard Bidding Document (SBD) must form part of all bids invited. It contains general information and serves as a declaration form for local content (local production and local content are used interchangeably).

Before completing this declaration, bidders must study the General Conditions, Definitions, Directives applicable in respect of Local Content as prescribed in the Preferential Procurement Regulations, 2011 and the South African Bureau of Standards (SABS) approved technical specification number SATS 1286:201x.

1. General Conditions

- 1.1. Preferential Procurement Regulations, 2011 (Regulation 9. (1) and 9. (3) make provision for the promotion of local production and content.
- 1.2. Regulation 9.(1) prescribes that in the case of designated sectors, where in the award of bids local production and content is of critical importance, such bids must be advertised with the specific bidding condition that only locally produced goods, services or works or locally manufactured goods, with a stipulated minimum threshold for local production and content will be considered.
- 1.3. Regulation 9.(3) prescribes that where there is no designated sector, a specific bidding condition may be included, that only locally produced services, works or goods or locally manufactured goods with a stipulated minimum threshold for local production and content, will be considered.
- 1.4. Where necessary, for bids referred to in paragraphs 1.2 and 1.3 above, a two stage bidding process may be followed, where the first stage involves a minimum threshold for local production and content and the second stage price and B-BBEE.
- 1.5. A person awarded a contract in relation to a designated sector, may not sub-contract in such a manner that the local production and content of the overall value of the contract is reduced to below the stipulated minimum threshold.
- 1.6. The local content (LC) as a percentage of the bid price must be calculated in accordance with the SABS approved technical specification number SATS 1286: 201x as follows:

$$LC = 1 - \left(\frac{x}{y} \right) \times 100$$

Where

x imported content

y bid price excluding value added tax (VAT)

Prices referred to in the determination of x must be converted to Rand (ZAR) by using the exchange rate published by South African Reserve Bank (SARB) at 12:00 on the date, one week (7 calendar days) prior to the closing date of the bid as indicated in paragraph 4.1 below.

- 1.7. A bid will be disqualified if:

4.1 If yes, the rate(s) of exchange to be used in this bid to calculate the local content as prescribed in paragraph 1.6 of the general conditions must be the rate(s) published by SARB for the specific currency at 12:00 on the date, one week (7 calendar days) prior to the closing date of the bid.

The relevant rates of exchange information is accessible on www.reservebank.co.za.

Indicate the rate(s) of exchange against the appropriate currency in the table below:

Currency	Rates of exchange
US Dollar	
Pound Sterling	
Euro	
Yen	
Other	

NB: Bidders must submit proof of the SARB rate (s) of exchange used.

LOCAL CONTENT DECLARATION BY CHIEF FINANCIAL OFFICER OR OTHER LEGALLY RESPONSIBLE PERSON NOMINATED IN WRITING BY THE CHIEF EXECUTIVE OR SENIOR MEMBER/PERSON WITH MANAGEMENT RESPONSIBILITY (CLOSE CORPORATION, PARTNERSHIP OR INDIVIDUAL)

IN RESPECT OF BID No.

ISSUED BY: (Procurement Authority / Name of Institution):

.....

NB The obligation to complete, duly sign and submit this declaration cannot be transferred to an external authorized representative, auditor or any other third party acting on behalf of the bidder.

I, the undersigned, (full names), do hereby declare, in my capacity as of(name of bidder entity), the following:

(a) The facts contained herein are within my own personal knowledge.

(b) I have satisfied myself that the goods/services/works to be delivered in terms of the above-specified bid comply with the minimum local content requirements as specified in the bid, and as measured in terms of SATS 1286.

(c) The local content has been calculated using the formula given in clause 3 of SATS 1286, the rates of exchange indicated in paragraph 4.1 above and the following figures:

Bid price, excluding VAT (y)	R
Imported content (x)	R
Stipulated minimum threshold for Local content (paragraph 3 above)	
Local content % , as calculated in terms of SATS 1286	

If the bid is for more than one product, a schedule of the local content by product shall be attached.

(d) I accept that the Procurement Authority / Institution has the right to request that the local content be verified in terms of the requirements of SATS 1286.

(e) I understand that the awarding of the bid is dependent on the accuracy of the information furnished in this application. I also understand that the submission of incorrect data, or data that are not verifiable as described in SATS 1286, may result in the Procurement Authority / Institution imposing any or all of the remedies as provided for in Regulation 13 of the Preferential Procurement Regulations, 2011 promulgated under the Policy Framework Act (PPFA), 2000 (Act No. 5 of 2000).

SIGNATURE: _____

DATE: _____

WITNESS No. 1 _____

DATE: _____

WITNESS No. 2 _____

DATE: _____

Annex D

Imported Content Declaration - Supporting Schedule to Annex C

Tender No. _____
 Tender description (011) _____
 Designated Producer (023) _____
 Tendering Authority (024) _____
 Tendering Entity name (025) _____
 Tender Exchange Rate: _____

Notes: VAT to be excluded from all calculations

EUR R 9.00

EUR R 3.20

A. Exempted imported content

Tender item no's (021)	Description of imported content (022)	Local supplier (026)	Overseas Supplier (027)	Foreign currency value as per Commercial Invoice (028)	Tender Rate of Exchange (029)	Local value of imports (030)	Freight costs to port of entry (031)	All locally incurred landing costs in duties (032)	Total landed cost excl VAT (033)	Tender Qty (034)	Exempted imported value (035)
(035) Total exempt imported value											
This total must correspond with Annex C C.23											

B. Imported directly by the Tenderer

Tender item no's (021)	Description of imported content (022)	Unit of measure (023)	Overseas Supplier (027)	Foreign currency value as per Commercial Invoice (028)	Tender Rate of Exchange (029)	Local value of imports (030)	Freight costs to port of entry (031)	All locally incurred landing costs in duties (032)	Total landed cost excl VAT (033)	Tender Qty (034)	Total imported value (035)
(035) Total imported value by tenderer											

C. Imported by a 3rd party and supplied to the Tenderer

Description of imported content (021)	Unit of measure (023)	Local supplier (026)	Overseas Supplier (027)	Foreign currency value as per Commercial Invoice (028)	Tender Rate of Exchange (029)	Local value of imports (030)	Freight costs to port of entry (031)	All locally incurred landing costs in duties (032)	Total landed cost excl VAT (033)	Quantity Imported (034)	Total imported value (035)
(035) Total imported value by 3rd party											

D. Other foreign currency payments

Type of payment (021)	Local supplier name (022)	Overseas beneficiary (023)	Foreign currency value paid (024)	Tender base of exchange (025)
(025) Total of foreign currency payments declared by tenderer and/or 3rd party				
(026) Total of imported content & foreign currency payments - (023), (024) & (025) above				

Signature of Issuer from Annex A

Date: _____

This total must correspond with Annex C C.24

Summary of payments
 Local value of payments
 (035)

DECLARATION OF BIDDER'S PAST SUPPLY CHAIN MANAGEMENT PRACTICES

- 1 This Standard Bidding Document must form part of all bids invited.
- 2 It serves as a declaration to be used by institutions in ensuring that when goods and services are being procured, all reasonable steps are taken to combat the abuse of the supply chain management system.
- 3 The bid of any bidder may be disregarded if that bidder, or any of its directors have-
 - a. abused the institution's supply chain management system;
 - b. committed fraud or any other improper conduct in relation to such system; or
 - c. failed to perform on any previous contract.
- 4 In order to give effect to the above, the following questionnaire must be completed and submitted with the bid.

Item	Question	Yes	No
4.1	Is the bidder or any of its directors listed on the National Treasury's database as companies or persons prohibited from doing business with the public sector? (Companies or persons who are listed on this database were informed in writing of this restriction by the National Treasury after the <i>audi alteram partem</i> rule was applied).	Yes <input type="checkbox"/>	No <input type="checkbox"/>
4.1.1	If so, furnish particulars:		
4.2	Is the bidder or any of its directors listed on the Register for Tender Defaulters in terms of section 29 of the Prevention and Combating of Corrupt Activities Act (No 12 of 2004)? To access this Register enter the National Treasury's website, www.treasury.gov.za , click on the icon "Register for Tender Defaulters" or submit your written request for a hard copy of the Register to facsimile number (012) 3265445.	Yes <input type="checkbox"/>	No <input type="checkbox"/>
4.2.1	If so, furnish particulars:		
4.3	Was the bidder or any of its directors convicted by a court of law (including a court outside of the Republic of South Africa) for fraud or corruption during the past five years?	Yes <input type="checkbox"/>	No <input type="checkbox"/>
4.3.1	If so, furnish particulars:		
4.4	Was any contract between the bidder and any organ of state terminated during the past five years on account of failure to perform on or comply with the contract?	Yes <input type="checkbox"/>	No <input type="checkbox"/>
4.4.1	If so, furnish particulars:		

CERTIFICATION

**I, THE UNDERSIGNED (FULL NAME).....
CERTIFY THAT THE INFORMATION FURNISHED ON THIS DECLARATION
FORM IS TRUE AND CORRECT.**

**I ACCEPT THAT, IN ADDITION TO CANCELLATION OF A CONTRACT,
ACTION MAY BE TAKEN AGAINST ME SHOULD THIS DECLARATION
PROVE TO BE FALSE.**

.....
Signature

.....
Date

.....
Position

.....
Name of Bidder

CERTIFICATE OF INDEPENDENT BID DETERMINATION

- 1 This Standard Bidding Document (SBD) must form part of all bids¹ invited.
- 2 Section 4 (1) (b) (iii) of the Competition Act No. 89 of 1998, as amended, prohibits an agreement between, or concerted practice by, firms, or a decision by an association of firms, if it is between parties in a horizontal relationship and if it involves collusive bidding (or bid rigging).² Collusive bidding is a *pe se* prohibition meaning that it cannot be justified under any grounds.
- 3 Treasury Regulation 16A9 prescribes that accounting officers and accounting authorities must take all reasonable steps to prevent abuse of the supply chain management system and authorizes accounting officers and accounting authorities to:
 - a. disregard the bid of any bidder if that bidder, or any of its directors have abused the institution's supply chain management system and or committed fraud or any other improper conduct in relation to such system.
 - b. cancel a contract awarded to a supplier of goods and services if the supplier committed any corrupt or fraudulent act during the bidding process or the execution of that contract.
- 4 This SBD serves as a certificate of declaration that would be used by institutions to ensure that, when bids are considered, reasonable steps are taken to prevent any form of bid-rigging.
- 5 In order to give effect to the above, the attached Certificate of Bid Determination (SBD 9) must be completed and submitted with the bid:

¹ Includes price quotations, advertised competitive bids, limited bids and proposals.

² Bid rigging (or collusive bidding) occurs when businesses, that would otherwise be expected to compete, secretly conspire to raise prices or lower the quality of goods and / or services for purchasers who wish to acquire goods and / or services through a bidding process. Bid rigging is, therefore, an agreement between competitors not to compete.

CERTIFICATE OF INDEPENDENT BID DETERMINATION

I, the undersigned, in submitting the accompanying bid:

(Bid Number and Description)

in response to the invitation for the bid made by:

(Name of Institution)

do hereby make the following statements that I certify to be true and complete in every respect:

I certify, on behalf of: _____ that:
(Name of Bidder)

1. I have read and I understand the contents of this Certificate;
2. I understand that the accompanying bid will be disqualified if this Certificate is found not to be true and complete in every respect;
3. I am authorized by the bidder to sign this Certificate, and to submit the accompanying bid, on behalf of the bidder;
4. Each person whose signature appears on the accompanying bid has been authorized by the bidder to determine the terms of, and to sign the bid, on behalf of the bidder;
5. For the purposes of this Certificate and the accompanying bid, I understand that the word "competitor" shall include any individual or organization, other than the bidder, whether or not affiliated with the bidder, who:
 - (a) has been requested to submit a bid in response to this bid invitation;
 - (b) could potentially submit a bid in response to this bid invitation, based on their qualifications, abilities or experience; and
 - (c) provides the same goods and services as the bidder and/or is in the same line of business as the bidder

6. The bidder has arrived at the accompanying bid independently from, and without consultation, communication, agreement or arrangement with any competitor. However communication between partners in a joint venture or consortium³ will not be construed as collusive bidding.
7. In particular, without limiting the generality of paragraphs 6 above, there has been no consultation, communication, agreement or arrangement with any competitor regarding:
 - (a) prices;
 - (b) geographical area where product or service will be rendered (market allocation)
 - (c) methods, factors or formulas used to calculate prices;
 - (d) the intention or decision to submit or not to submit, a bid;
 - (e) the submission of a bid which does not meet the specifications and conditions of the bid; or
 - (f) bidding with the intention not to win the bid.
8. In addition, there have been no consultations, communications, agreements or arrangements with any competitor regarding the quality, quantity, specifications and conditions or delivery particulars of the products or services to which this bid invitation relates.
9. The terms of the accompanying bid have not been, and will not be, disclosed by the bidder, directly or indirectly, to any competitor, prior to the date and time of the official bid opening or of the awarding of the contract.

³ Joint venture or Consortium means an association of persons for the purpose of combining their expertise, property, capital, efforts, skill and knowledge in an activity for the execution of a contract.

10. I am aware that, in addition and without prejudice to any other remedy provided to combat any restrictive practices related to bids and contracts, bids that are suspicious will be reported to the Competition Commission for investigation and possible imposition of administrative penalties in terms of section 59 of the Competition Act No 89 of 1998 and or may be reported to the National Prosecuting Authority (NPA) for criminal investigation and or may be restricted from conducting business with the public sector for a period not exceeding ten (10) years in terms of the Prevention and Combating of Corrupt Activities Act No 12 of 2004 or any other applicable legislation.

.....
Signature

.....
Date

.....
Position

.....
Name of Bidder

Js914w 2