



agriculture & rural development

Department:
agriculture
& rural development
PROVINCE OF KWAZULU-NATAL

KWAZULU-NATAL DEPARTMENT OF AGRICULTURE AND RURAL DEVELOPMENT

BID No: ZNB 4277/18A

DESCRIPTION OF SERVICE: SUPPLY, DELIVERY, OFFLOAD AND CONSTRUCT 5 TUNNELS (8M X 30M) AT BARO PROJECT AT ILEMBE DISTRICT

NAME OF BIDDER: _____

Compulsory briefing session

Venue	Department of Agriculture Ilembe District Office
Date	19 September 2018
Time	11:00

PREQUALIFICATION CRITERIA

Only tenderers who meet the following prequalification criteria may respond: -

- (i) BBBEE level 1 (as per the provisions of section 4(1)(a) of the PPPFA Regulations, 2017); and
- (ii) EME (as per the provisions of section 4(1)(b) of the PPPFA Regulations, 2017)
- (iii) CIDB 2 GB

Return of Bid:

Bid must be deposited in the bid box situated at Department of Agriculture and Rural Development, Supply Chain Management, 1 Cedara Road, Cedara, 3200 or send by post to The Director: Supply Chain Management, Private Bag X9059, Pietermaritzburg, 3200. Tel: **(033) 343 8225** before **11:00** am on the closing date: **04 October 2018**

Issued by:

The Department of Agriculture and Rural Development
1 Cedara Road
Cedara
3200

TABLE OF CONTENTS.

SECTIONS		CONTENTS	PAGE
		Cover page	1
		Table of contents	2
Section A	SBD 1	Invitation to Bid	3-4
	SBD 3	Special Instructions and Notices to Bidders Regarding the Completion of Bidding Forms	5
	SBD3.3	Pricing Schedule	6
	SBD 4	Declaration of Interest.	7-9
	SBD 6.1	Preference Points Claim Form in Terms of the Preferential Procurement Regulations 2017	10-14
	SBD 8	Declaration of bidder's past Supply Chain Management practices	15-16
	SBD 9	Certificate of Independent Bid Determination	17-19
	SBD 10	Compulsory Official Briefing Session Certificate	20
	SBD11	Authority to sign a Bid	21-26
Section B		General Conditions of Contract	27-40

Bidders are to check that all pages and forms are included in the bid documentation and notify the Department immediately if any pages or sections are missing

**PART A
INVITATION TO BID**

YOU ARE HEREBY INVITED TO BID FOR REQUIREMENTS OF THE (NAME OF DEPARTMENT/ PUBLIC ENTITY)					
BID NUMBER:	ZNB34277/18A	CLOSING DATE:	2018-10-04	CLOSING TIME:	11:00 AM
DESCRIPTION	SUPPLY, DELIVERY, OFFLOAD AND CONSTRUCT 5 TUNNELS (8M X 30M) AT BARO PROJECT AT ILEMBE DISTRICT				
BID RESPONSE DOCUMENTS MAY BE DEPOSITED IN THE BID BOX SITUATED AT (STREET ADDRESS)					
Supply Chain Management					
1 Cedara Road					
Cedara, 3200					
BIDDING PROCEDURE ENQUIRIES MAY BE DIRECTED TO			TECHNICAL ENQUIRIES MAY BE DIRECTED TO:		
CONTACT PERSON	Mr M Ndlela		CONTACT PERSON	Mr P Naidoo	
TELEPHONE NUMBER	033 343 8225		TELEPHONE NUMBER	032 437 7500	
FACSIMILE NUMBER	n/a		FACSIMILE NUMBER	n/a	
E-MAIL ADDRESS	Mandla.ndlela@kzndard.gov.za		E-MAIL ADDRESS	n/a	
SUPPLIER INFORMATION					
NAME OF BIDDER					
POSTAL ADDRESS					
STREET ADDRESS					
TELEPHONE NUMBER	CODE		NUMBER		
CELLPHONE NUMBER					
FACSIMILE NUMBER	CODE		NUMBER		
E-MAIL ADDRESS					
VAT REGISTRATION NUMBER					
SUPPLIER COMPLIANCE STATUS	TAX COMPLIANCE SYSTEM PIN:		OR	CENTRAL SUPPLIER DATABASE No:	MAAA
B-BBEE STATUS LEVEL VERIFICATION CERTIFICATE	TICK APPLICABLE BOX] <input type="checkbox"/> Yes <input type="checkbox"/> No		B-BBEE STATUS LEVEL SWORN AFFIDAVIT	[TICK APPLICABLE BOX] <input type="checkbox"/> Yes <input type="checkbox"/> No	
[A B-BBEE STATUS LEVEL VERIFICATION CERTIFICATE/ SWORN AFFIDAVIT (FOR EMES & QSEs) MUST BE SUBMITTED IN ORDER TO QUALIFY FOR PREFERENCE POINTS FOR B-BBEE]					
ARE YOU THE ACCREDITED REPRESENTATIVE IN SOUTH AFRICA FOR THE GOODS /SERVICES /WORKS OFFERED?	<input type="checkbox"/> Yes <input type="checkbox"/> No [IF YES ENCLOSE PROOF]		ARE YOU A FOREIGN BASED SUPPLIER FOR THE GOODS /SERVICES /WORKS OFFERED?	<input type="checkbox"/> Yes <input type="checkbox"/> No [IF YES, ANSWER PART B:3]	
QUESTIONNAIRE TO BIDDING FOREIGN SUPPLIERS					
IS THE ENTITY A RESIDENT OF THE REPUBLIC OF SOUTH AFRICA (RSA)?					<input type="checkbox"/> YES <input type="checkbox"/> NO
DOES THE ENTITY HAVE A BRANCH IN THE RSA?					<input type="checkbox"/> YES <input type="checkbox"/> NO
DOES THE ENTITY HAVE A PERMANENT ESTABLISHMENT IN THE RSA?					<input type="checkbox"/> YES <input type="checkbox"/> NO
DOES THE ENTITY HAVE ANY SOURCE OF INCOME IN THE RSA?					<input type="checkbox"/> YES <input type="checkbox"/> NO
IS THE ENTITY LIABLE IN THE RSA FOR ANY FORM OF TAXATION?					<input type="checkbox"/> YES <input type="checkbox"/> NO
IF THE ANSWER IS "NO" TO ALL OF THE ABOVE, THEN IT IS NOT A REQUIREMENT TO REGISTER FOR A TAX COMPLIANCE STATUS SYSTEM PIN CODE FROM THE SOUTH AFRICAN REVENUE SERVICE (SARS) AND IF NOT REGISTER AS PER 2.3 BELOW.					

PART B TERMS AND CONDITIONS FOR BIDDING

1. BID SUBMISSION:
1.1. BIDS MUST BE DELIVERED BY THE STIPULATED TIME TO THE CORRECT ADDRESS. LATE BIDS WILL NOT BE ACCEPTED FOR CONSIDERATION.
1.2. ALL BIDS MUST BE SUBMITTED ON THE OFFICIAL FORMS PROVIDED–(NOT TO BE RE-TYPED) OR IN THE MANNER PRESCRIBED IN THE BID DOCUMENT.
1.3. THIS BID IS SUBJECT TO THE PREFERENTIAL PROCUREMENT POLICY FRAMEWORK ACT, 2000 AND THE PREFERENTIAL PROCUREMENT REGULATIONS, 2017, THE GENERAL CONDITIONS OF CONTRACT (GCC) AND, IF APPLICABLE, ANY OTHER SPECIAL CONDITIONS OF CONTRACT.
1.4. THE SUCCESSFUL BIDDER WILL BE REQUIRED TO FILL IN AND SIGN A WRITTEN CONTRACT FORM (SBD7).
2. TAX COMPLIANCE REQUIREMENTS
2.1 BIDDERS MUST ENSURE COMPLIANCE WITH THEIR TAX OBLIGATIONS.
2.2 BIDDERS ARE REQUIRED TO SUBMIT THEIR UNIQUE PERSONAL IDENTIFICATION NUMBER (PIN) ISSUED BY SARS TO ENABLE THE ORGAN OF STATE TO VERIFY THE TAXPAYER'S PROFILE AND TAX STATUS.
2.3 APPLICATION FOR TAX COMPLIANCE STATUS (TCS) PIN MAY BE MADE VIA E-FILING THROUGH THE SARS WEBSITE WWW.SARS.GOV.ZA.
2.4 BIDDERS MAY ALSO SUBMIT A PRINTED TCS CERTIFICATE TOGETHER WITH THE BID.
2.5 IN BIDS WHERE CONSORTIA / JOINT VENTURES / SUB-CONTRACTORS ARE INVOLVED, EACH PARTY MUST SUBMIT A SEPARATE TCS CERTIFICATE / PIN / CSD NUMBER.
2.6 WHERE NO TCS IS AVAILABLE BUT THE BIDDER IS REGISTERED ON THE CENTRAL SUPPLIER DATABASE (CSD), A CSD NUMBER MUST BE PROVIDED.
2.7 NO BIDS WILL BE CONSIDERED FROM PERSONS IN THE SERVICE OF THE STATE, COMPANIES WITH DIRECTORS WHO ARE PERSONS IN THE SERVICE OF THE STATE, OR CLOSE CORPORATIONS WITH MEMBERS PERSONS IN THE SERVICE OF THE STATE."

NB: FAILURE TO PROVIDE / OR COMPLY WITH ANY OF THE ABOVE PARTICULARS MAY RENDER THE BID INVALID.

SIGNATURE OF BIDDER:

CAPACITY UNDER WHICH THIS BID IS SIGNED:
(Proof of authority must be submitted e.g. company resolution)

DATE:

**SPECIAL INSTRUCTIONS AND NOTICES TO BIDDERS REGARDING THE
COMPLETION OF BIDDING FORMS**

PLEASE NOTE THAT THIS BID IS SUBJECT TO TREASURY REGULATIONS 16A ISSUED IN TERMS OF THE PUBLIC FINANCE MANAGEMENT ACT, 1999, THE KWAZULU-NATAL SUPPLY CHAIN MANAGEMENT POLICY FRAMEWORK AND THE GENERAL CONDITIONS OF CONTRACT.

1. Unless inconsistent with or expressly indicated otherwise by the context, the singular shall include the plural and vice versa and with words importing the masculine gender shall include the feminine and the neuter.
2. Under no circumstances whatsoever may the bid forms be retyped or redrafted. Photocopies of the original bid documentation may be used, but an original signature must appear on such photocopies.
3. The bidder is advised to check the number of pages and to satisfy himself that none are missing or duplicated.
4. Bids submitted must be complete in all respects.
5. Bids shall be lodged at the address indicated not later than the closing time specified for their receipt, and in accordance with the directives in the bid documents.
6. Each bid shall be addressed in accordance with the directives in the bid documents and shall be lodged in a separate sealed envelope, with the name and address of the bidder, the bid number and closing date indicated on the envelope. The envelope shall not contain documents relating to any bid other than that shown on the envelope. If this provision is not complied with, such bids may be rejected as being invalid.
7. All bids received in sealed envelopes with the relevant bid numbers on the envelopes are kept unopened in safe custody until the closing time of the bids. Where, however, a bid is received open, it shall be sealed. If it is received without a bid number on the envelope, it shall be opened, the bid number ascertained, the envelope sealed and the bid number written on the envelope.
8. A specific box is provided for the receipt of bids, and no bid found in any other box or elsewhere subsequent to the closing date and time of bid will be considered.
9. No bid sent through the post will be considered if it is received after the closing date and time stipulated in the bid documentation, and proof of posting will not be accepted as proof of delivery.
10. No bid submitted by telefax, telegraphic or other electronic means will be considered.
11. Bidding documents must not be included in packages containing samples. Such bids may be rejected as being invalid.
12. Any alteration made by the bidder must be initialed.
13. Use of correcting fluid is prohibited
14. Bids will be opened in public as soon as practicable after the closing time of bid.
15. Where practical, prices are made public at the time of opening bids.
16. If it is desired to make more than one offer against any individual item, such offers should be given on a photocopy of the page in question. Clear indication thereof must be stated on the schedules attached.

PRICING SCHEDULE

NAME OF BIDDER: _____ BID NO.: ZNB4277/18A

CLOSING DATE: 04 October 2018

CLOSING TIME 11:00

OFFER TO BE VALID FOR 120 DAYS FROM THE CLOSING DATE OF BID.

BID NUMBER	DESCRIPTION	BID PRICE IN RSA CURRENCY *(All applicable taxes included)
ZNB4277/18A	SUPPLY, DELIVERY, OFFLOAD AND CONSTRUCT 5 TUNNELS (8M X 30M) AT BARO PROJECT AT ILEMBE DISTRICT	

SignatureOfficial company
stamp

DECLARATION OF INTEREST

1. Any legal person, including persons employed by the state¹, or persons having a kinship with persons employed by the state, including a blood relationship, may make an offer or offers in terms of this invitation to bid (includes a price quotation, advertised competitive bid, limited bid or proposal). In view of possible allegations of favouritism, should the resulting bid, or part thereof, be awarded to persons employed by the state, or to persons connected with or related to them, it is required that the bidder or his/her authorised representative declare his/her position in relation to the evaluating/adjudicating authority where-
 - the bidder is employed by the state; and/or
 - the legal person on whose behalf the bidding document is signed, has a relationship with persons/a person who are/is involved in the evaluation and or adjudication of the bid(s), or where it is known that such a relationship exists between the person or persons for or on whose behalf the declarant acts and persons who are involved with the evaluation and or adjudication of the bid.

2. **In order to give effect to the above, the following questionnaire must be completed and submitted with the bid.**
 - 2.1 Full Name of bidder or his or her representative:
 - 2.2 Identity Number :.....
 - 2.3 Position occupied in the Company (director, trustee, shareholder²):
 - 2.4 Company Registration Number:
 - 2.5 Tax Reference Number:
 - 2.6 VAT Registration Number:

 - 2.6.1 The names of all directors / trustees / shareholders / members, their individual identity numbers, tax reference numbers and, if applicable, employee / persal numbers must be indicated in paragraph 3 below.

¹"State" means –

- (a) any national or provincial department, national or provincial public entity or constitutional institution within the meaning of the Public Finance Management Act, 1999 (Act No. 1 of 1999);
- (b) any municipality or municipal entity;
- (c) provincial legislature;
- (d) national Assembly or the national Council of provinces; or
- (e) Parliament.

²"Shareholder" means a person who owns shares in the company and is actively involved in the management

of the enterprise or business and exercises control over the enterprise.

2.7 Are you or any person connected with the bidder presently employed by the state? **YES / NO**

2.7.1 If so, furnish the following particulars:

2.7.2 If you are presently employed by the state, did you obtain the appropriate authority to undertake remunerative work outside employment in the public sector? **YES / NO**

2.7.2.1 If yes, did you attached proof of such authority to the bid document? **YES / NO**

(Note: Failure to submit proof of such authority, where applicable, may result in the disqualification of the bid.

2.7.2.2 If no, furnish reasons for non-submission of such proof:

.....
.....
.....

2.8 Did you or your spouse, or any of the company's directors / trustees / shareholders / members or their spouses conduct business with the state in the previous twelve months? **YES / NO**

2.8.1 If so, furnish particulars:

.....
.....
.....

2.9 Do you, or any person connected with the bidder, have any relationship (family, friend, other) with a person employed by the state and who may be involved with the evaluation and or adjudication of this bid? **YES / NO**

2.9.1 If so, furnish particulars.

.....
.....
.....

2.10 Are you, or any person connected with the bidder, aware of any relationship (family, friend, other) between any other bidder and any person employed by the state who may be involved with the evaluation and or adjudication of this bid? **YES/NO**

2.10.1 If so, furnish particulars

2.11 Do you or any of the directors / trustees / shareholders / members of the company have any interest in any other related companies whether or not they are bidding for this contract? **YES/NO**

2.11.1 If so, furnish particulars.....

3 Full details of directors / trustees / members / shareholders.

Full Name	Identity Number	Personal Tax Reference Number	State Employee Number / Persal Number

4 DECLARATION

I, THE UNDERSIGNED (NAME).....
 CERTIFY THAT THE INFORMATION FURNISHED IN PARAGRAPHS 2 and 3 ABOVE IS CORRECT.
 ACCEPT THAT THE STATE MAY REJECT THE BID OR ACT AGAINST ME IN TERMS OF
 PARAGRAPH 23 OF THE GENERAL CONDITIONS OF CONTRACT SHOULD THIS DECLARATION
 PROVE TO BE FALSE.

 Signature

 Date

 Position

 Name of bidder

PREFERENCE POINTS CLAIM FORM IN TERMS OF THE PREFERENTIAL PROCUREMENT REGULATIONS 2017

This preference form must form part of all bids invited. It contains general information and serves as a claim form for preference points for Broad-Based Black Economic Empowerment (B-BBEE) Status Level of Contribution

NB: BEFORE COMPLETING THIS FORM, BIDDERS MUST STUDY THE GENERAL CONDITIONS, DEFINITIONS AND DIRECTIVES APPLICABLE IN RESPECT OF B-BBEE, AS PRESCRIBED IN THE PREFERENTIAL PROCUREMENT REGULATIONS, 2017.

1. GENERAL CONDITIONS

1.1 The following preference point systems are applicable to all bids:

- the 80/20 system for requirements with a Rand value of up to R50 000 000 (all applicable taxes included); and
- the 90/10 system for requirements with a Rand value above R50 000 000 (all applicable taxes included).

1.2

- a) The value of this bid is estimated to not exceed R50 000 000 (all applicable taxes included) and therefore the 80/20 preference point system shall be applicable;

1.3 Points for this bid shall be awarded for:

- (a) Price; and
(b) B-BBEE Status Level of Contributor.

1.4 The maximum points for this bid are allocated as follows:

	POINTS
PRICE	80
B-BBEE STATUS LEVEL OF CONTRIBUTOR	20
Total points for Price and B-BBEE must not exceed	100

1.5 Failure on the part of a bidder to submit proof of B-BBEE Status level of contributor together with the bid, will be interpreted to mean that preference points for B-BBEE status level of contribution are not claimed.

1.6 The purchaser reserves the right to require of a bidder, either before a bid is adjudicated or at any time subsequently, to substantiate any claim in regard to preferences, in any manner required by the purchaser.

2. DEFINITIONS

- (a) “**B-BBEE**” means broad-based black economic empowerment as defined in section 1 of the Broad-Based Black Economic Empowerment Act;
- (b) “**B-BBEE status level of contributor**” means the B-BBEE status of an entity in terms of a code of good practice on black economic empowerment, issued in terms of section 9(1) of the Broad-Based Black Economic Empowerment Act;
- (c) “**bid**” means a written offer in a prescribed or stipulated form in response to an invitation by an organ of state for the provision of goods or services, through price quotations, advertised competitive bidding processes or proposals;
- (d) “**Broad-Based Black Economic Empowerment Act**” means the Broad-Based Black Economic Empowerment Act, 2003 (Act No. 53 of 2003);
- (e) “**EME**” means an Exempted Micro Enterprise in terms of a code of good practice on black economic empowerment issued in terms of section 9 (1) of the Broad-Based Black Economic Empowerment Act;
- (f) “**functionality**” means the ability of a tenderer to provide goods or services in accordance with specifications as set out in the tender documents.
- (g) “**prices**” includes all applicable taxes less all unconditional discounts;
- (h) “**proof of B-BBEE status level of contributor**” means:
 - 1) B-BBEE Status level certificate issued by an authorized body or person;
 - 2) A sworn affidavit as prescribed by the B-BBEE Codes of Good Practice;
 - 3) Any other requirement prescribed in terms of the B-BBEE Act;
- (i) “**QSE**” means a qualifying small business enterprise in terms of a code of good practice on black economic empowerment issued in terms of section 9 (1) of the Broad-Based Black Economic Empowerment Act;
- (j) “**rand value**” means the total estimated value of a contract in Rand, calculated at the time of bid invitation, and includes all applicable taxes;

3. POINTS AWARDED FOR PRICE

3.1 THE 80/20 OR 90/10 PREFERENCE POINT SYSTEMS

A maximum of 80 or 90 points is allocated for price on the following basis:

$$\begin{array}{ccc} \mathbf{80/20} & \mathbf{or} & \mathbf{90/10} \\ P_s = 80 \left(1 - \frac{P_t - P_{\min}}{P_{\min}} \right) & \text{or} & P_s = 90 \left(1 - \frac{P_t - P_{\min}}{P_{\min}} \right) \end{array}$$

Where

P_s = Points scored for price of bid under consideration

P_t = Price of bid under consideration

P_{\min} = Price of lowest acceptable bid

4. POINTS AWARDED FOR B-BBEE STATUS LEVEL OF CONTRIBUTOR

4.1 In terms of Regulation 6 (2) and 7 (2) of the Preferential Procurement Regulations, preference points must be awarded to a bidder for attaining the B-BBEE status level of contribution in accordance with the table below:

B-BBEE Status Level of Contributor	Number of points (90/10 system)	Number of points (80/20 system)
1	10	20
2	9	18
3	6	14
4	5	12
5	4	8
6	3	6
7	2	4
8	1	2
Non-compliant contributor	0	0

5. BID DECLARATION

5.1 Bidders who claim points in respect of B-BBEE Status Level of Contribution must complete the following:

6. B-BBEE STATUS LEVEL OF CONTRIBUTOR CLAIMED IN TERMS OF PARAGRAPHS 1.4 AND 4.1

6.1 B-BBEE Status Level of Contributor: . =(maximum of 20 points)

(Points claimed in respect of paragraph 7.1 must be in accordance with the table reflected in paragraph 4.1 and must be substantiated by relevant proof of B-BBEE status level of contributor.

7. SUB-CONTRACTING

7.1 Will any portion of the contract be sub-contracted?

(Tick applicable box)

YES	<input type="checkbox"/>	NO	<input type="checkbox"/>
-----	--------------------------	----	--------------------------

7.1.1 If yes, indicate:

- i) What percentage of the contract will be subcontracted%
- ii) The name of the sub-contractor.....
- iii) The B-BBEE status level of the sub-contractor.....
- iv) Whether the sub-contractor is an EME or QSE

(Tick applicable box)

YES	<input type="checkbox"/>	NO	<input type="checkbox"/>
-----	--------------------------	----	--------------------------

v) Specify, by ticking the appropriate box, if subcontracting with an enterprise in terms of Preferential Procurement Regulations,2017:

Designated Group: An EME or QSE which is at last 51% owned by:	EME √	QSE √
Black people		
Black people who are youth		
Black people who are women		
Black people with disabilities		
Black people living in rural or underdeveloped areas or townships		
Cooperative owned by black people		
Black people who are military veterans		
OR		
Any EME		
Any QSE		

8. DECLARATION WITH REGARD TO COMPANY/FIRM

8.1 Name of company/firm:.....

8.2 VAT registration number:.....

8.3 Company registration number:.....

8.4 TYPE OF COMPANY/ FIRM

Partnership/Joint Venture / Consortium

One-person business/sole propriety

Close corporation

Company

(Pty) Limited

[TICK APPLICABLE BOX]

8.5 DESCRIBE PRINCIPAL BUSINESS ACTIVITIES

.....
.....
.....
.....

8.6 COMPANY CLASSIFICATION

Manufacturer

Supplier

Professional service provider

Other service providers, e.g. transporter, etc.

[TICK APPLICABLE BOX]

8.7 Total number of years the company/firm has been in business.....

8.8 I/we, the undersigned, who is / are duly authorised to do so on behalf of the company/firm, certify that the points claimed, based on the B-BBE status level of contributor indicated in paragraphs 1.4 and 6.1 of the foregoing certificate, qualifies the company/ firm for the preference(s) shown and I / we acknowledge that:

i) The information furnished is true and correct;

ii) The preference points claimed are in accordance with the General Conditions as

indicated in paragraph 1 of this form;

- iii) In the event of a contract being awarded as a result of points claimed as shown in paragraphs 1.4 and 6.1, the contractor may be required to furnish documentary proof to the satisfaction of the purchaser that the claims are correct;
- iv) If the B-BBEE status level of contributor has been claimed or obtained on a fraudulent basis or any of the conditions of contract have not been fulfilled, the purchaser may, in addition to any other remedy it may have –
 - (a) disqualify the person from the bidding process;
 - (b) recover costs, losses or damages it has incurred or suffered as a result of that person's conduct;
 - (c) cancel the contract and claim any damages which it has suffered as a result of having to make less favourable arrangements due to such cancellation;
 - (d) recommend that the bidder or contractor, its shareholders and directors, or only the shareholders and directors who acted on a fraudulent basis, be restricted by the National Treasury from obtaining business from any organ of state for a period not exceeding 10 years, after the *audi alteram partem* (hear the other side) rule has been applied; and
 - (e) forward the matter for criminal prosecution.

WITNESSES
1.
2.

.....
SIGNATURE(S) OF BIDDERS(S)
DATE:
ADDRESS
.....
.....

DECLARATION OF BIDDER'S PAST SUPPLY CHAIN MANAGEMENT PRACTICES

- 1 This Standard Bidding Document must form part of all bids invited.
- 2 It serves as a declaration to be used by institutions in ensuring that when goods and services are being procured, all reasonable steps are taken to combat the abuse of the supply chain management system.
- 3 The bid of any bidder may be disregarded if that bidder, or any of its directors have-
 - a. abused the institution's supply chain management system;
 - b. committed fraud or any other improper conduct in relation to such system; or
 - c. failed to perform on any previous contract.
- 4 **In order to give effect to the above, the following questionnaire must be completed and submitted with the bid.**

Item	Question	Yes	No
4.1	Is the bidder or any of its directors listed on the National Treasury's Database of Restricted Suppliers as companies or persons prohibited from doing business with the public sector? (Companies or persons who are listed on this Database were informed in writing of this restriction by the Accounting Officer/Authority of the institution that imposed the restriction after the <i>audi alteram partem</i> rule was applied). The Database of Restricted Suppliers now resides on the National Treasury's website(www.treasury.gov.za) and can be accessed by clicking on its link at the bottom of the home page.	Yes <input type="checkbox"/>	No <input type="checkbox"/>
4.1.1	If so, furnish particulars:		
4.2	Is the bidder or any of its directors listed on the Register for Tender Defaulters in terms of section 29 of the Prevention and Combating of Corrupt Activities Act (No 12 of 2004)? The Register for Tender Defaulters can be accessed on the National Treasury's website (www.treasury.gov.za) by clicking on its link at the bottom of the home page.	Yes <input type="checkbox"/>	No <input type="checkbox"/>
4.2.1	If so, furnish particulars:		
4.3	Was the bidder or any of its directors convicted by a court of law (including a court outside of the Republic of South Africa) for fraud or corruption during the past five years?	Yes <input type="checkbox"/>	No <input type="checkbox"/>
4.3.1	If so, furnish particulars:		
4.4	Was any contract between the bidder and any organ of state terminated during the past five years on account of failure to perform on or comply with the contract?	Yes <input type="checkbox"/>	No <input type="checkbox"/>
4.4.1	If so, furnish particulars:		+

CERTIFICATION

I, THE UNDERSIGNED (FULL NAME).....
CERTIFY THAT THE INFORMATION FURNISHED ON THIS DECLARATION FORM IS TRUE AND
CORRECT.

I ACCEPT THAT, IN ADDITION TO CANCELLATION OF A CONTRACT, ACTION MAY BE TAKEN
AGAINST ME SHOULD THIS DECLARATION PROVE TO BE FALSE.

.....
Signature

.....
Date

.....
Position

.....
Name of Bidder

CERTIFICATE OF INDEPENDENT BID DETERMINATION

- 1 This Standard Bidding Document (SBD) must form part of all bids¹ invited.
- 2 Section 4 (1) (b) (iii) of the Competition Act No. 89 of 1998, as amended, prohibits an agreement between, or concerted practice by, firms, or a decision by an association of firms, if it is between parties in a horizontal relationship and if it involves collusive bidding (or bid rigging).² Collusive bidding is a *pe se* prohibition meaning that it cannot be justified under any grounds.
- 3 Treasury Regulation 16A9 prescribes that accounting officers and accounting authorities must take all reasonable steps to prevent abuse of the supply chain management system and authorizes accounting officers and accounting authorities to:
 - a. disregards the bid of any bidder if that bidder, or any of its directors have abused the institution's supply chain management system and or committed fraud or any other improper conduct in relation to such system.
 - b. cancel a contract awarded to a supplier of goods and services if the supplier committed any corrupt or fraudulent act during the bidding process or the execution of that contract.
- 4 This SBD serves as a certificate of declaration that would be used by institutions to ensure that, when bids are considered, reasonable steps are taken to prevent any form of bid-rigging.
- 5 In order to give effect to the above, the attached Certificate of Bid Determination (SBD 9) must be completed and submitted with the bid:

¹ Includes price quotations, advertised competitive bids, limited bids and proposals.

² Bid rigging (or collusive bidding) occurs when businesses, that would otherwise be expected to compete, secretly conspire to raise prices or lower the quality of goods and / or services for purchasers who wish to acquire goods and / or services through a bidding process. Bid rigging is, therefore, an agreement between competitors not to compete.

CERTIFICATE OF INDEPENDENT BID DETERMINATION

I, the undersigned, in submitting the accompanying bid:

(Bid Number and Description)

in response to the invitation for the bid made by:

(Name of Institution)

do hereby make the following statements that I certify to be true and complete in every respect:

I certify, on behalf of: _____ that:

(Name of Bidder)

1. I have read and I understand the contents of this Certificate;
2. I understand that the accompanying bid will be disqualified if this Certificate is found not to be true and complete in every respect;
3. I am authorized by the bidder to sign this Certificate, and to submit the accompanying bid, on behalf of the bidder;
4. Each person whose signature appears on the accompanying bid has been authorized by the bidder to determine the terms of, and to sign the bid, on behalf of the bidder;
5. For the purposes of this Certificate and the accompanying bid, I understand that the word "competitor" shall include any individual or organization, other than the bidder, whether or not affiliated with the bidder, who:
 - (a) has been requested to submit a bid in response to this bid invitation;
 - (b) could potentially submit a bid in response to this bid invitation, based on their qualifications, abilities or experience; and
 - (c) provides the same goods and services as the bidder and/or is in the same line of business as the bidder

6. The bidder has arrived at the accompanying bid independently from, and without consultation, communication, agreement or arrangement with any competitor. However, communication between partners in a joint venture or consortium^a will not be construed as collusive bidding.
7. In particular, without limiting the generality of paragraphs 6 above, there has been no consultation, communication, agreement or arrangement with any competitor regarding:
 - (a) prices;
 - (b) geographical area where product or service will be rendered (market allocation)
 - (c) methods, factors or formulas used to calculate prices;
 - (d) the intention or decision to submit or not to submit, a bid;
 - (e) the submission of a bid which does not meet the specifications and conditions of the bid; or
 - (f) bidding with the intention not to win the bid.
8. In addition, there have been no consultations, communications, agreements or arrangements with any competitor regarding the quality, quantity, specifications and conditions or delivery particulars of the products or services to which this bid invitation relates.
9. The terms of the accompanying bid have not been, and will not be, disclosed by the bidder, directly or indirectly, to any competitor, prior to the date and time of the official bid opening or of the awarding of the contract.
10. I am aware that, in addition and without prejudice to any other remedy provided to combat any restrictive practices related to bids and contracts, bids that are suspicious will be reported to the Competition Commission for investigation and possible imposition of administrative penalties in terms of section 59 of the Competition Act No 89 of 1998 and or may be reported to the National Prosecuting Authority (NPA) for criminal investigation and or may be restricted from conducting business with the public sector for a period not exceeding ten (10) years in terms of the Prevention and Combating of Corrupt Activities Act No 12 of 2004 or any other applicable legislation.

Signature

Date

Position

Name of Bidder

COMPULSORY OFFICIAL BRIEFING SESSION CERTIFICATE

N. B.: THIS FORM MUST BE COMPLETED AND INCLUDED IN THE BID.

Bid No: **ZNB 4277/18A**

Service: SUPPLY, DELIVERY, OFFLOAD AND CONSTRUCT 5 TUNNELS (8M X 30M) AT BARO PROJECT AT ILEMBE DISTRICT

THIS IS TO CERTIFY THAT (NAME):

ON BEHALF OF:

ATTENDED THE COMPULSORY BRIEFING SESSION ON..... (DATE)

AND IS THEREFORE FAMILIAR WITH THE CIRCUMSTANCES AND THE SCOPE OF THE SERVICE TO BE RENDERED.

.....
NAME AND SIGNATURE OF BIDDER OR AUTHORISED REPRESENTATIVE

DATE:

.....
NAME AND SIGNATURE OF DEPARTMENTAL REPRESENTATIVE

DATE:

DEPARTMENTAL OFFICIAL STAMP:

AUTHORITY TO SIGN A BID

A. COMPANIES

If a Bidder is a company, a certified copy of the resolution by the board of directors, personally signed by the chairperson of the board, authorising the person who signs this bid to do so, as well as to sign any contract resulting from this bid and any other documents and correspondence in connection with this bid and/or contract on behalf of the company must be submitted with this bid, that is before the closing time and date of the bid

AUTHORITY BY BOARD OF DIRECTORS

By resolution passed by the Board of Director.....20.....,

Mr/Mrs.....

(whose signature appears below) has been duly authorised to sign all documents in connection with this bid on behalf of

(Name of Company)

IN HIS/HER CAPACITY AS:

SIGNED ON BEHALF OF COMPANY:

.....
(PRINT NAME)

SIGNATURE OF SIGNATORY: **DATE:**

WITNESSES: 1.....

2.....

B. SOLE PROPRIETOR (ONE - PERSON BUSINESS)

I, the undersigned..... hereby confirm that I am the sole owner of the business trading as.....

.....

SIGNATURE..... **DATE**.....

C. PARTNERSHIP

The following particulars in respect of every partner must be furnished and signed by every partner:

Full name of partner	Residential address	Signature
.....
.....
.....

We, the undersigned partners in the business trading as..... hereby authoriseto sign this bid as well as any contract resulting from the bid and any other documents and correspondence in connection with this bid and /or contract on behalf of

.....
SIGNATURE **SIGNATURE** **SIGNATURE**

.....
DATE **DATE** **DATE**

D. CLOSE CORPORATION

In the case of a close corporation submitting a bid, a certified copy of the Founding Statement of such corporation

shall be included with the bid, together with the resolution by its members authorising a member or other official of

the corporation to sign the documents on their behalf.

By resolution of members at a meeting on 20.....

at..... Mr/Ms....., whose signature

appears below, has been authorised to sign all documents in connection with this bid on behalf of

(Name of Close Corporation).....

.....

SIGNED ON BEHALF OF CLOSE CORPORATION:

.....
(PRINT NAME)

IN HIS/HER CAPACITY AS **DATE:**

SIGNATURE OF SIGNATORY:

WITNESSES: 1.....

2.....

E CO-OPERATIVE

A certified copy of the Constitution of the co-operative must be included with the bid, together with the resolution by its members authoring a member or other official of the co-operative to sign the bid documents on their behalf.

By resolution of members at a meeting on 20.....

at.....

Mr/Ms....., whose signature appears below, has been authorised to sign all documents in connection with this bid on behalf of (Name of cooperative).....

SIGNATURE OF AUTHORISED REPRESENTATIVE/SIGNATORY:

IN HIS/HER CAPACITY AS:

DATE:

SIGNED ON BEHALF OF CO-OPERATIVE:

NAME IN BLOCK LETTERS:

WITNESSES: 1.....

2.....

F JOINT VENTURE

If a bidder is a joint venture, a certified copy of the resolution/agreement passed/reached signed by the duly authorised representatives of the enterprises, authorising the representatives who sign this bid to do so, as well as to sign any contract resulting from this bid and any other documents and correspondence in connection with this bid and/or contract on behalf of the joint venture must be submitted with this bid, before the closing time and date of the bid.

AUTHORITY TO SIGN ON BEHALF OF THE JOINT VENTURE

By resolution/agreement passed/reached by the joint venture partners on.....20.....

Mr/Mrs.....,Mr/Mrs.....

Mr/Mrs.....and Mr/Mrs.....

(whose signatures appear below) have been duly authorised to sign all documents in connection with this bid on behalf of:(Name of Joint Venture).....

IN HIS/HER CAPACITY AS:

SIGNED ON BEHALF OF (COMPANY NAME):
(PRINT NAME)

SIGNATURE: DATE:

IN HIS/HER CAPACITY AS:

SIGNED ON BEHALF OF (COMPANY NAME):
(PRINT NAME)

SIGNATURE: DATE:

IN HIS/HER CAPACITY AS:

SIGNED ON BEHALF OF (COMPANY NAME):
(PRINT NAME)

SIGNATURE: DATE:

IN HIS/HER CAPACITY AS:

G. CONSORTIUM

If a bidder is a consortium, a certified copy of the resolution/agreement passed/reached signed by the duly authorised representatives of concerned enterprises, authorising the representatives who sign this bid to do so, as well as to sign any contract resulting from this bid and any other documents and correspondence in connection with this bid and/or contract on behalf of the consortium must be submitted with this bid, before the closing time and date of the bid.

AUTHORITY TO SIGN ON BEHALF OF THE CONSORTIUM

By resolution/agreement passed/reached by the consortium on.....20.....

Mr/Mrs.....

(whose signature appear below) have been duly authorised to sign all documents in connection with this bid on behalf of:

(Name of Consortium).....

IN HIS/HER CAPACITY AS:

SIGNATURE: **DATE:**

SECTION B
GENERAL CONDITIONS OF CONTRACT

DEFINITIONS: The following terms shall be interpreted as indicated:

- (a) "Closing time" means the date and hour specified in the bidding documents for the receipt of bids.
- (b) "Contract" means the written agreement entered into between the Province and the Contractor, as recorded in the contract form signed by the parties, including all attachments and appendices thereto and all documents incorporated by reference therein.
- (c) "Contract price" means the price payable to the Contractor under the contract for the full and proper performance of his contractual obligations.
- (d) "Corrupt practice" means the offering, giving, receiving, or soliciting of any thing of value to influence the action of a public official in the procurement process or in contract execution.
- (e) "Countervailing duties" are imposed in cases where an enterprise abroad is subsidized by its government and encouraged to market its products internationally.
- (f) "Country of origin" means the place where the goods were mined, grown or produced or from which the services are supplied. Goods are produced when, through manufacturing, processing or substantial and major assembly of components, a commercially recognised new product results that is substantially different in basic characteristics or in purpose or utility from its components.
- (g) "Day" means calendar day.
- (h) "Delivery" means delivery in compliance with the conditions of the contract or order.
- (i) "Delivery ex stock" means immediate delivery directly from stock actually on hand.
- (j) "Delivery into consignees store or to his site" means delivery and unloaded in the specified store or depot or on the specified site in compliance with the conditions of the contract or order, the Contractor bearing all risks and charges involved until the supplies are so delivered and a valid receipt is obtained.
- (k) "Dumping" occurs when a private enterprise abroad market its goods and services on own initiative in the RSA at lower prices than that of the country of origin and which have the potential to harm the local industries in the RSA.
- (l) "Force majeure" means an event beyond the control of the Contractor and not involving the Contractor's fault or negligence and not foreseeable. Such event may include, but is not restricted to, acts of the Province in its sovereign capacity, wars or revolutions, fires, floods, epidemics, quarantine restrictions and freight embargoes.
- (m) "Fraudulent practice" means a misrepresentation of facts in order to influence a procurement process or the execution of a contract to the detriment of any bidder, and includes collusive practice among bidders (prior to or after bid submission) designed to establish bid prices at artificial non-competitive levels and to deprive the bidder of the benefits of free and open competition.
- (n) "GCC" means the General Conditions of Contract.

- (o) "Goods" means all the equipment, machinery, and/or other materials that the supplier is required to supply to the purchaser under the contract.
- (p) "Imported content" means that portion of the bidding price represented by the cost of components, parts or materials which have been or are still to be imported (whether by the Contractor or his subcontractors) and which costs are inclusive of the costs abroad, plus freight and other direct importation costs such as landing costs, dock dues, import duty, sales duty or other similar tax or duty at the South African place of entry as well as transportation and handling charges to the factory in the Republic, where supplies covered by the bid will be manufactured.
- (q) "Local content" means that portion of the bidding price which is not included in the imported content provided that local manufacture does take place.
- (r) "Manufacture" means the production of products in a factory using labour, materials, components and machinery and includes other related value-adding activities.
- (s) "Order" means an official written order issued for the supply of goods or works or the rendering of a service.
- (t) "Project site" where applicable, means the place indicated in bidding documents.
- (u) "Province" means the procuring Department, incorporating the KwaZulu-Natal Provincial Legislature.
- (v) "Republic" means the Republic of South Africa.
- (w) "SCC" means the Special Conditions of Contract.
- (x) "Services" means those functional services ancillary to the supply of the goods, such as transportation and any other incidental services, such as installation, commissioning, provision of technical assistance, training, catering, gardening, security, maintenance and other such obligations of the Contractor covered under the contract.
- (y) "Written" or "in writing" means handwritten in ink or any form of electronic or mechanical writing.

1. CESSION OF CONTRACTS

- 1.1 The Contract is personal to the Contractor who shall not sub-let, assign, cede or make over the Contract or any part thereof, or any share of interest therein, to any other person without the written consent of the Province, and on such conditions as it may approve.
- 1.2 This sub-clause shall not apply to sub-contracts given to regular suppliers of the Contractor for materials and minor components relating to the goods or services supplied. The Province reserves the right to require the Contractor to submit, for noting, the names of such sub-contractors in order to ascertain their registration on the Provincial Suppliers Database and they must be legal entities.

2. DISCREPANCIES

Should there appear to be any discrepancies, ambiguities or want of agreement in description, dimensions, qualities or quantities in the Contract, the Contractor shall be obliged to refer the matter to the Provinces' Representative for a decision, before proceeding to execute the Contract or part thereof in respect of which the said discrepancies, ambiguities or want of agreement appear to exist.

3. QUALITY AND GUARANTEE

- 3.1 All Goods supplied shall be equal in all respects to samples, patterns or specifications where such are provided. Any changes to quality or brands will have to be approved by the Province, as this is a change to the conditions of the contract.
- 3.2 Should the Province, after the award of the Contract and/or during the manufacture of the goods specified, decide on a variation or alteration to the specification, either at the suggestion of the Contractor or otherwise, which will be to the Province's advantage, such variation or alteration shall be performed to the Province's satisfaction. Any variation in the Contract Price arising there from shall be subject to agreement between the Province and the Contractor.
- 3.3 The Contractor shall not be relieved of his obligations with respect to the sufficiency of the materials and workmanship and the quality of the Goods supplied by the reason of no objection having been taken thereto by the Province's Representative at the time the Goods were delivered.
- 3.4 The Contractor warrants that the goods supplied under the contract are new, unused, of the most recent or current models, and that they incorporate all recent improvements in design and materials unless provided otherwise in the contract. The Contractor further warrants that all goods supplied under this contract shall have no defect, arising from design, materials or workmanship (except when the design and/or material is required by the purchaser's specifications) or from any act or omission of the Contractor, that may develop under normal use of the supplied goods in the conditions prevailing in the country of the final destination.
- 3.5 This warranty shall remain valid for twelve (12) months after the goods, or any portion thereof as the case may be, have been delivered to and accepted at the final destination indicated in the contract, or for eighteen (18) months after the date of shipment from the port or place of loading in the source country, whichever period concludes earlier, unless specified otherwise in the Special Conditions of Contract.
- 3.6 The Province shall promptly notify the Contractor in writing of any claims arising under this warranty. The Contractor shall immediately remedy the said defect free of cost to the Province. Should the Contractor delay remedial work in excess of time stipulated by the Province's representative, the Province may have such remedial work executed at the Contractor's expense. Should the Province decide that the defect is such that it cannot be

remedied, the Goods may be rejected. Such rejected goods shall be held at the risk and expense of the Contractor and shall, on request of the Province, be removed by him immediately on receipt of notification of rejection. The Contractor shall be responsible for any loss the Province may sustain by reason of such action as the Province may take, in terms of this clause.

- 3.7 The risk in respect of the Goods purchased by the Province under the contract shall remain with the Contractor until such goods have been delivered to the Province.
- 3.8 The principle feature of the Goods and Work are described in the Goods or Services Information, but the Goods or Services Information does not purport to indicate every detail of construction, fabrication or arrangements of Goods and Works necessary to meet the requirements. Omission from the Goods or Services information of reference to any part or parts shall not relieve the Contractor of his responsibility for carrying out the Work as required under the Contract.
- 3.9 If any dispute arises between the Province and the Contractor in connection with the quality and guarantee of the Goods, either party may give the other notice in writing of the existence of such dispute, and the same shall thereupon be referred to arbitration in South Africa by a person mutually agreed upon by both parties. The submission shall be deemed to be a submission to arbitration within the meaning of the terms of the arbitration laws in force in the Republic of South Africa.

4. FAILURE TO COMPLY WITH CONDITIONS AND DELAYED EXECUTION

- 4.1 If a bidder amends or withdraws his/her/their bid after the closing time but before the bidder is notified that his/her/their bid has been accepted, or when notified that his/her/their bid has been accepted, he/she/they fail/fails, within the period stipulated in the conditions of bid or such extended period as the Province may allow, to sign a contract or to provide security when requested to do so, he/she/they shall, unless the Province decides otherwise, and without prejudice to any other right which the Province may have under paragraphs 4.2 and 4.4, including the right to claim damages if a less favourable bid is accepted or less favourable arrangements are to be made, forfeit any deposit which may have been made with the bid.
- 4.2 Should the contractor fail to comply with any of the conditions of the contract, the Province shall be entitled, without prejudice to any of its other rights, to cancel the contract.
- 4.3 Upon any delay beyond the contract period in the case of a supplies contract, the Province shall, without canceling the contract, be entitled forthwith to purchase supplies of a similar quality and up to the same quantity in substitution of the goods not supplied in conformity with the contract and to return any supplies delivered later at the contractor's expense and risk, or forthwith to cancel the contract and buy such supplies as may be required to complete the contract, and without prejudice to its rights, be entitled to claim damages from the contractor.
- 4.4 Upon any delay beyond the contract period in the case of a service contract, the Province shall, without prejudice to any other right and without canceling the contract, be entitled forthwith to arrange the execution of the service not rendered in conformity with the contract or to cancel the contract, and without prejudice to its other rights, be entitled to claim damages from the contractor.
- 4.5 In the event of the Province availing itself of the remedies provided for in paragraph 4.2-
- 4.5.1 the contractor shall bear any adverse difference in price of the said supplies services and these amounts plus any other damages which may be suffered by the Province, shall be paid by the contractor to the Province immediately on demand, or the Province may deduct such amounts from moneys (if any) otherwise payable to the contractor in respect of supplies or services rendered or to be rendered under the contract or under any other contract or any other amounts due to the contractor; or

4.5.2 if the Contractor fails to supply the goods or render the service within the period stipulated in the contract, the Province shall have the right, in its sole discretion, to claim any damages or loss suffered.

4.6 No damages shall be claimed in respect of any period of delay which the contractor can prove to be directly due to a state of war, sanctions, strikes, lockouts, damage to machinery as a result of accidents, fire, flood or tempest or act of God, which could not be foreseen or overcome by the contractor, or to any act or omission on the part of persons acting in any capacity on behalf of the Province.

4.7 If the delivery of the supplies or the rendering of the service is likely to be delayed or is in fact being delayed on account of any of the reasons mentioned in paragraph 4.6, full particulars of the circumstances shall be reported forthwith in writing to the Province and at the same time the contractor shall indicate the extension of the delivery period which is desired.

5. PATENTS

5.1 The Contractor shall pay all royalties and expenses and be liable for all claims in respect of the use of patent rights, trademarks or other protected rights, and hereby indemnifies the Province against any claims arising there from.

5.2 The Contractor shall indemnify the Province against all third-party claims of infringement of patent, trademark, or industrial design rights arising from the use of the goods or any part thereof by the Province.

6. PACKAGING, MARKING AND DELIVERY

6.1 All goods shall be crated, packed or battened securely in such a manner as to prevent damage during loading, transport and off-loading. Unless otherwise specified, packing cases and packing materials are included in the Contract Price, and shall be and remain the property of the Province.

6.2 All goods shall be clearly marked in the manner stated in the Goods or Services Information.

6.3 Goods shall be delivered to the address within the Province's area of jurisdiction as set out in the Special Conditions of Contract or Goods and Services Information.

6.4 Goods shall be delivered on Weekdays between 08:00 and 16:00, free of all charges, only when ordered upon an official letter or form of order issued by the Province. No goods will be received on Saturdays, Sundays and public holidays. This paragraph (6.4) is applicable only when not excluded in the Special Conditions of Contract.

6.5 Goods delivered shall in all cases be accompanied by delivery notes in duplicate, one which will be retained by the Province. The Contractor shall be responsible for the safe delivery as to the quality, quantity and condition of the goods.

6.6 Delivery, unless otherwise provided for in the Special Conditions of Contract, shall be affected within seven (7) days from receipt of the order. The Contractor shall advise the Province upon receipt of an order in writing of any anticipated delays, citing reasons therefore and put forward a new anticipated delivery date. The Province may then extend the delivery date, if and as it deems fit.

6.7 Should the Contractor fail to supply the material within the time stated in his bid, or within the extended time allowed to him in terms of clause 6.6 hereof, the Province reserves the right (after giving the Contractor seven days notice in writing) to cancel the contract and purchase

the materials elsewhere and the bidder shall refund to the Province any extra cost incurred over and above the contract price. No liability shall, however, be attached to the Contractor if delivery of materials is rendered impossible or delayed by reason of circumstances beyond the Contractor's control.

- 6.8 If the Contractor cannot produce proof satisfactory to the Province that the delay was due to circumstances beyond his control, no price increase after the due date will be recognized.
- 6.9 If at any time the Province ascertains that, due to negligence of the Contractor or for reasons beyond his control:
- 6.9.1 No work on the order has been commenced and in the opinion of the Province, there is little or no prospect of work being commenced in reasonable time;
- 6.9.2 Delivery of any materials is being or is likely to be delayed beyond the delivery date promised, and/or
- 6.9.3 There is little or no prospect of the order being completed within a reasonable time after the promised date; the Province may, by notice to the Contractor in writing, cancel as from the future date specified in such notice, the whole or any part of the order in respect of which material has not been delivered by that date without incurring any liability by reasons of such cancellation. The cases where circumstances beyond the control of the Contractor have delayed commencement or completion of the order, cancellation of the order will be effected by mutual arrangement or where this is not possible by the decision of the Province. The Contractor shall then as soon as possible after such date deliver to the Province that part of the order which has been completed, and payment is to be effected is for the part performance on a proportional basis, subject to the uncompleted part not being an integral or essential part of the contract.
- 6.10 Should a price other than an all-inclusive price be required, this shall be specified in the SCC.

7. CONSIGNMENT OF GOODS

- 7.1 Goods, if delivered by Spoornet may be consigned carriage paid in the Contractor's name, care of the Province to the place of delivery stipulated, but not in the name of the State. Goods consigned to stores located in areas which Spoornet may refuse to deliver, must be done so care of a local agent or to a local depot from which they may be re-delivered by road to such stores.
- 7.2 Contractors shall arrange with Spoornet to deliver goods to the Province's stores during the hours and on the days that the stores are open.
- 7.3 The Province will not be responsible for any damage, re-delivery charges or any other charges raised by Spoornet.
- 7.4 Claims on the South African Transport Services or on any other carrier in respect of weight, quantity, damage or loss, shall be made by the Contractor.

8. PAYMENT

- 8.1 The Contractor shall furnish the Province with an invoice accompanied by a copy of the delivery note upon fulfilment of other obligations stipulated in the contract.
- 8.2 Payments shall be made promptly by the Province, but in no case later than thirty days (30) days after submission of an invoice or claim by the Contractor.
- 8.3 Payments will be made in Rand unless otherwise stipulated.
- 8.4 Payments for goods are made by the Province only. Any disputes regarding late or delayed payments must be taken up with the department and if a problem persists, the Supply Chain Management Office can be requested to investigate the delays.

9. INVOICES

All invoices submitted by the Contractor must be Tax Invoices indicating quantity ordered and quantity delivered, the amount of tax charged and the total invoice amount.

10. CONTRACT PRICE ADJUSTMENT

- 10.1 Firm contract prices shall not be subject to adjustment. Contract prices which are not firm shall be increased or reduced by the amount of variation between the Cost to Bidder and the actual cost to the Contractor, such variations to be subject to the following conditions:-
 - 10.1.1 Where the Cost to Bidder was based on a printed catalogue or list price, the variation shall be the difference between that price list and the price list actually charged. Should it transpire that the Cost to Bidder was not based on the latest available price list at the Date of Bid, the Province shall have the right to elect the price list on which any variation shall be based.
 - 10.1.2 Where the Cost to Bidder was based on a quotation by the manufacturer, or where the Contractor is the manufacturer, and the Contract Price was based on the cost of materials and labour ruling at a certain date, the variation in the Contract Price shall be calculated by means of the Steel and Engineering Industries Federation of South Africa (SEIFSA) formula if this is stipulated in the Contract, or if the Province's representative considers it to be appropriate. Where the use of the SEIFSA formula is not appropriate, the variation shall be calculated by means of another formula acceptable to the Province, which shall be indicated in the Special Conditions of Contract. Only those cost increases due to wage increases prescribed by regulating measures having the force of law, or increases in the cost of materials and railage as may be proven by documentary evidence, or published data, will be considered in determining Contract Price variation.
 - 10.1.3 Any difference between Rates and Charges ruling at the time of bid and those actually paid by the Contractor will be for the account of the Province. The Contract Price adjustment arising from any variation in Rates and Charges shall, in every instance, be applied to the appropriate value, or tonnage, of the Goods shipped. Where a variation in the Cost to bidder has been allowed, the contract price shall be adjusted by the product of such variation and every component of Rates and Charges which is based on the value of the Goods, whether or not the costs of such components have varied.

- 10.1.4 No claim for increased costs will be entertained if the Contractor is unable to produce documentation to substantiate Cost to Bidder and Rates and Charges on which the contract price was based and documentation to support his claim. Such documentation must, in the opinion of the Province, adequately support the Contractor's claim. No claim for increased costs to the Contractor arising from negligence on his part, or that of the manufacturer, will be considered.
- 10.1.5 The Contractor shall, in respect of every consignment or shipment of Goods delivered, supply to the Province's Representative documentary evidence of variation, if any, in Cost to Bidder and Rates and Charges.
- 10.1.6 Claims for increased cost shall be submitted with the invoice for the Goods in respect of which the claim is made, or as soon thereafter as possible. Claims shall not be considered if received more than 90 days after the expiry of the Contract unless notice of intention to claim has been given to the Province before such date.
- 10.1.7 In the event of there being no claim by the Contractor for increased costs, the Contractor shall not be entitled to full payment under the Contract before he has submitted to the Province, in his own name or in the name of the manufacturer, a certificate declaring that there have been no adjustments in the cost of manufacture which entitle the Employer to a reduction in the Contract Price as provided for in this clause.

11. REMEDIES IN THE CASE OF DEATH, SEQUESTRATION, LIQUIDATION OR JUDICIAL MANAGEMENT

- 11.1 In the event of the death of a contractor or the provisional or final sequestration of his/her/their estate or of his/her/their cession or transfer of a contract without the approval of the Province or of the surrender of his/her/their estate or of his/her/their reaching a compromise with his/her/their creditors or of the provisional or final liquidation of a contractor's company/closed corporation or the placing of its affairs under judicial management, the Province may, without prejudice to any other rights it may have, exercise any of the following options :
 - 11.1.1 Cancel the contract and accept any of the bids which were submitted originally with that of the contractor or any offer subsequently received to complete the contract. In such a case the estate of the contractor shall not be relieved of liability for any claim which has arisen or may arise against the contractor in respect of supplies not delivered or work not carried out by the contractor, under the contract.
 - 11.1.2 Allow the executor, trustee, liquidator or judicial manager, as the case may be, for and on behalf of and at the cost and expense of the estate of the contractor to carry on with and complete the contract.
 - 11.1.3 For and on behalf of and at the cost and expense of the estate of the contractor, itself carry on with and complete the contract and in that event the Province may take over and utilize, without payment, the contractor's tools, plant and materials in whole or in part until the completion of the contract.
- 11.2 Should the Province elect to act in terms of paragraph 11.1.3 it shall give notice of its requirements to the executor, trustee, liquidator or judicial manager of the contractor's estate and should the said executor, trustee, liquidator or judicial manager fail within 14 days of the dispatch of such notice to make provision to the satisfaction of the Province for the fulfillment of such requirements, or should no trustee, liquidator or judicial manager be appointed within 14 days of the occurrence mentioned in paragraph 11.1, the Province may apply any remedy open to it in terms of the contract as if a breach thereof had taken place.

11.3 Should the Province act in terms of paragraph 11.1.3 the contractor must leave the premises immediately and may not occupy such premises on account of retention or any other right.

12. LAW TO APPLY

The Contract shall in all respects be construed in accordance with the law of the Republic of South Africa, and any difference that may arise with the law of the Republic of South Africa, and any difference that may arise between the Province and the Contractor in regard to the Contract, shall be settled in the Republic of South Africa.

13. OFFERING OF COMMISSION OR GRATUITY

If the Contractor, or any person employed by him, is found to have either directly or indirectly offered, promised or given to any office bearer of the Province or person in the employ of the Province, any commission, gratuity, gift or other consideration, the Province shall have the right, summarily and without recourse to law and without prejudice to any other legal remedy which it may have in regard to any loss or additional cost or expenses, to cancel the Contract without paying any compensation to the Contractor.

14. PREFERENCES

14.1 Should the Contractor apply for preferences in the submission of his bid, and it is found at a later stage that these applications were incorrect or made under false pretences, the Province may, at its own right:-

14.1.1 Recover from the Contractor all costs, losses or damages incurred or sustained by the Province as a result of the award of the Contract; and / or

14.1.2 Cancel the contract and claim any damages which the Province may suffer by having to make less favourable arrangements after such cancellation.

14.1.3 The Province may impose penalties, however, only if provision therefore is made in the Special Conditions of Bid.

15. WEIGHTS AND MEASURES

The quantities of goods offered or delivered shall be according to South African standard weights and measures.

16. SECURITY

16.1 Special Conditions of Contract relating to Surety/Guarantee requirement must be dealt with in strict compliance with the Conditions of Bid set out herein.

16.2 In respect of contracts less than R 500 000, the guarantees and sureties required may be based on a risk evaluation conducted by the Province inviting the bid.

16.3 No deposits are required for bid applications for contracts below R 500 000.

17. ORDERS

17.1 Goods shall be delivered and services rendered only upon receipt of a written official order or the signing of a contract with the Province, and accounts shall be rendered as indicated on the official order or in the contract, as the case may be.

17.2 The Province reserves the right to call upon any Contractor during the contract period to make known the following details:

17.2.1 Name of Institution placing order;

17.2.2 Provincial official order number;

17.2.3 Quantity ordered; and

17.2.4 List of items ordered.

18. EXPORT LICENCES

18.1 When orders are placed for goods in respect of which an export licence from the country of origin of supplies is required, the Contractor shall:

18.1.1 Not incur any direct or indirect costs in connection with the supply or dispatch of such supplies before he has obtained such licence;

18.1.2 If the government of the country from which the supplies are to be exported refuses, or fails to grant such licence within three months of the placing of the order, the order shall be considered to be cancelled and no liability will be accepted for any loss or expenses irrespective of the nature thereof, including loss or expenditure suffered or incurred by the Contractor or any other person in respect of the production, supply, transportation or delivery of such supplies.

19. INSURANCE

19.1 The goods supplied under the contract shall be fully insured in a freely convertible Currency against loss or damage incidental to manufacture or acquisition, transportation, storage and delivery in the manner specified in the SCC.

19.2 Any insurance policies taken out by a Contractor to cover goods delivered for a contract must be taken out with a company registered in South Africa in terms of relevant insurance and companies acts.

20. INSPECTION, TESTS AND ANALYSES

20.1 In terms of Provincial policy, inspections of a Bidder's goods and services are permitted. Bidders and Contractors must allow reasonable access to premises to officials from the department inviting the bid, or person specially appointed by the Province to carry out inspection or tests. There are two main categories: Firstly, where the bid conditions call for goods to be inspected during the contract period. Secondly, where the inspection results are to be submitted with the bid document.

20.2 If it is a bid condition that goods to be produced should at any stage during production or on completion be subject to inspection, the premises of the Contractor shall be open, at all reasonable hours, for inspection by a representative of the Province or of an organization acting on its behalf.

20.3 Inspections tests and analyses may be carried out prior to dispatch in regard to such contract goods as may be deemed necessary by the Province, and the Contractor shall provide, if required, all the required facilities for the inspection, tests and analyses of the goods free of charge and shall, if required, provide all the materials, samples and labour and available apparatus which may be required for the purposes of such inspection, tests and analyses free of charge, unless otherwise specified.

20.4 If there are no inspection requirements in the bid documents and no mention thereof is made in the letter of acceptance, but during the contract it is decided that inspections shall be carried out, the Province shall itself make the necessary arrangements, including payment arrangements, with the testing authority concerned. The premises of the Bidder Contractor must be open and accessible at all reasonable times for the purposes of these tests.

20.5 If the inspection, tests and analyses show the goods or service to be in accordance with contract requirements, the cost of the inspection, tests and analyses shall be defrayed by the Province calling for such tests or analyses. Where the supplies or services do not comply with the contract, the costs shall be defrayed by the Contractor and the Province shall have the right, without prejudice to any other legal remedy it may have, to deduct such costs from payments due to the Contractor under the contract or under any other contract.

20.6 Goods and services which do not comply with the contract requirements may be rejected.

- 20.7 Any goods may on or after delivery be inspected, tested or analysed and may be rejected if found not to comply with the requirements of the contract, and such rejected goods shall be held at the cost and risk of the Contractor who shall, when called upon, remove them immediately at his own cost and forthwith substitute them for goods which do comply with the requirements of the contract, failing which such rejected goods shall be returned at the Contractor's cost and risk. Should the Contractor fail to provide the substitute goods forthwith, the Province may, without giving the Contractor a further opportunity to substitute the rejected goods, purchase such supplies as may be necessary at the expense of the Contractor, for example, the transport costs and other expenses regarding the rejected goods must be refunded by the Contractor.
- 20.8 Where imported goods are to be inspected before delivery, the Contractor shall notify his suppliers abroad of the conditions applicable to inspections.
- 20.9 Provisions contained in sub-clause 20.1 and 20.8 shall not prejudice the right of the Province to cancel the contract on account of a breach of the conditions thereof.

21. RESTRICTION OF BIDDING

Without prejudice on any other legal remedies, the Province may impose restrictions on a Bidder in terms of which bids to the Province will not be accepted for such period as determined by the Province. This information may be passed to other provinces or State organisations in the Republic of South Africa. These restrictions may be imposed in terms of the breach of any of the requirements to be met in terms of the accepted bid or contract. The Province may also make a restriction on a bidder from another province or State institution applicable to this Province.

22. CONTRACTOR'S LIABILITY

- 22.1 In the event of the contract being cancelled by the Province in the exercise of its rights in terms of these conditions, the Contractor shall be liable to pay to the Province any losses sustained and/ or additional costs or expenditure incurred as a result of such cancellation, and the Province shall have the right to recover such losses, damages or additional costs by means of set-off from moneys due or which may become due in terms of the contract or any other contract or from guarantee provided for the due fulfilment of the contract and, until such time as the amount of such losses, damages or additional costs have been determined, to retain such moneys or guarantee or any deposit as security for any loss which the Province may suffer or may have suffered.
- 22.2 The Contractor may be held responsible for any consequential damages and loss sustained which may be caused by any defect, latent or otherwise, in supply or service rendered or if the goods or service as a result of such defect, latent or otherwise, does not conform to any condition or requirement of the contract.
- ## **23. PRICE LISTS**
- Price lists which are part of the contract shall not be amended without the approval of the Province, unless the SCC specify otherwise.
- ## **24. SUBMISSION OF CLAIMS**
- 24.1 Claims must be submitted within 90 days of the delivery date of items, but the delivery date will be calculated according to the delivery period stipulated in terms of the contract, unless an extension for late delivery has been granted by the Province.
- 24.2 For period contracts, no price increase will be granted within the first 180 days of the contract period. No price increase applications which are submitted later than 90 days after the contract period expired will be considered. The claims shall be accompanied by documentary proof and, if required, an auditor's report sustaining the claim shall be provided.

24.3 Claims referring to formulae and indices must be clearly set out in terms of indices or formulae values used to calculate the bid price, and the adjusted indices or values.

25. PROVINCIAL PROPERTY IN POSSESSION OF A CONTRACTOR

25.1 Province's property supplied to a Contractor for the execution of a contract remains the property of the Province and shall at all times be available for inspection by the Province or its representatives. Any such property in the possession of the Contractor on the completion of the contract shall, at the Contractor's expense, be returned to the Province forthwith.

25.2 The Contractor shall be responsible at all times for any loss or damages to the Province's property in his possession and, if required, he shall furnish such security for the payment of any such loss or damages as the Province may require.

26. RIGHTS TO PROCURE OUTSIDE THE CONTRACT

26.1 The Province reserves the right to procure goods outside the contract in cases of urgency or emergency or if the quantities are too small to justify delivery costs, or if the goods are obtainable from another organ of Province or if the Contractor's point of supply is not situated at or near the place where the goods are required or if the Contractor's goods are not readily available.

26.2 No provision in a contract shall be deemed to prohibit the obtaining of goods or services from a Province or local authority.

27. AMENDMENT OF CONTRACT

No agreement to amend or vary a contract or order or the conditions, stipulations or provisions thereof shall be valid and of any force and effect unless such agreement to amend or vary is entered into in writing and signed by the contracting parties. Any waiver of the requirement that the agreement to amend or vary shall be in writing.

28. NOTICES

28.1 Every written acceptance of a bid shall be posted to the supplier/bidder concerned by registered or certified mail and any other notice to him/her/it shall be posted by ordinary mail to the address furnished in his bid or to the address notified later by him/her/it in writing and such posting shall be deemed to be proper service of such notice.

28.2 The time mentioned in the contract documents for performing any act after such aforesaid notice has been given, shall be reckoned from the date of posting such notice.

29. INCIDENTAL SERVICES

29.1 The Contractor may be required to provide any or all of the following services, including additional services, if any, specified in the Special Conditions of Bid:

- (a) performance or supervision of on-site assembly and/or commissioning of the supplied goods;
- (b) furnishing of tools required for assembly and/or maintenance of the supplied goods;
- (c) furnishing of a detailed operations and maintenance manual for each appropriate unit of the supplied goods;
- (d) performance or supervision or maintenance and/or repair of the supplied goods, for a period of time agreed by the parties, provided that this service shall not relieve the Contractor of any warranty obligations under this contract; and
- (e) training of the Province's personnel, at the Contractor's plant and/or on-site, in assembly, start-up, operation, maintenance, and/or repair of the supplied goods.

29.2 Prices charged by the Contractor for incidental services, if not included in the Contract price for the goods, shall be agreed upon in advance by the parties and shall not exceed the prevailing rates charged to other parties by the Contractor for similar services.

30. USE OF CONTRACT DOCUMENTS AND INFORMATION INSPECTION

30.1 The Contractor shall not, without the Province's prior written consent, disclose the contract, or any provision thereof, or any specification, plan, drawing, pattern, sample, or information furnished by or on behalf of the Province in connection therewith, to any person other than a person employed by the Contractor in the performance of the contract. Disclosure to any such employed person shall be made in confidence and shall extend only so far as may be necessary for purposes of such performance.

30.2 The Contractor shall not, without the Province's prior written consent, make use of any document or information mentioned in GCC clause 30.1 except for purposes of performing the contract.

30.3 Any document, other than the contract itself mentioned in GCC clause 30.1 shall remain the property of the Province and shall be returned (all copies) to the Province on completion of the Contractor's performance under the contract or so required by the Province.

30.4 The Contractor shall permit the Province to inspect the Contractor's records relating to the performance of the Contractor and to have them audited by auditors appointed by the Province, if so required by the Province.

31. SPARE PARTS

31.1 If specified in SCC, the Contractor may be required to provide any or all of the following materials, notifications, and information pertaining to spare parts manufactured or distributed by the Contractor:

- (a) such spare parts as the Province may elect to purchase from the Contractor, provided that this election shall not relieve the Contractor of any Warranty obligations under the contract.
- (b) In the event of termination of production of the spare parts:
 - (i) Advance notification to the Province of the pending termination, in sufficient time to permit the Province to procure needed requirements; and
 - (ii) Following such termination, furnishing at no cost to the Province, the blueprints, drawings, and specifications of the spare parts, if requested.

32. PENALTIES

32.1 Subject to GCC Clause 4, if the Contractor fails to deliver any or all of the goods or to perform the services within the period(s) specified in the contract, the Province shall, without prejudice to its other remedies under the contract, deduct from the contract price, as a penalty, a sum calculated on the delivered price of delayed goods or unperformed services, using the current prime interest rate calculated for each day of the delay until actual delivery or performance. The Province may also consider termination of the contract in terms of the GCC.

ANTI-DUMPING AND COUNTERVAILING DUTIES AND RIGHTS

33.1 When, after the date of bid, provisional payments are required, or anti-dumping or countervailing duties are imposed, or the amount of a provisional payment or anti-dumping or countervailing right is increased in respect of any dumped or subsidized import, the State is not liable for any amount so required or imposed, or for the amount of any such increase. When, after the said date, such a provisional payment is no longer required or any such anti-dumping or countervailing right is abolished, or where the amount of such provisional payment or any such right is reduced, any such favorable difference shall on demand be paid forthwith by the Contractor to the State or the State may deduct such amounts from moneys (if any) which may otherwise be due to the Contractor in regard to supplies or services which he delivered or rendered, or is to deliver or render in terms of the contract or any other contract or any other amount which may be due to him.

34. GOVERNING LANGUAGE

The contract shall be written in English. All correspondence and other documents pertaining to the contract that is exchanged by the parties shall also be written in English.

35. TAXES AND DUTIES

- 35.1 A foreign Contractor shall be entirely responsible for all taxes, stamp duties, licence fees, and other such levies imposed outside the Province's country.
- 35.2 A local Contractor shall be entirely responsible for all taxes, duties, license fees, etc., incurred until delivery of the contracted goods to the Province.
- 35.3 No contract shall be concluded with any bidder whose tax matters are not in order. Prior to the award of a bid the Province must be in possession of a tax clearance certificate, submitted by the bidder. This certificate must be an original issued by the South African Revenue Services.



**APPOINTMENT OF A SERVICE PROVIDER TO SUPPLY, ERECT AND EQUIP FIVE (5)
GREENHOUSE TUNNELS AT BARO FARMERS PROJECT
NEAR KWADUKUZA LM, ILEMBE DM**

A | TERMS OF REFERENCE

1. BACKGROUND

- 1.1. Achieving and maintaining high levels of growth in the agricultural sector is a key national policy objective that holds a high priority in the programmes of the KwaZulu-Natal Department of Agriculture and Rural Development (herein after referred to as Department). The Department endeavours to contribute to economic growth within the agricultural sector and in the process promote commercialization in the smallholder farm sector, increase opportunities for skilled and relatively unskilled employment, and increase food security. The Department has therefore prioritized the need to assist resource-poor and emerging farmers with tunnels and irrigation requirements.

2. OBJECTIVES

- 2.1. To appoint a suitable Service Provider for the supply, erection and equipping of five (5) greenhouse tunnels;
- 2.2. To ensure the timely realization of cost effective tunnels good quality to resource-poor and emerging farmers.
- 2.3. To create sustainable food production in poverty-stricken rural communities.

3. SCOPE OF SERVICES

- 3.1. This contract covers the supply, erection and equipping of five (5) greenhouse tunnels (8.0 - 9.0m x 30.0m), including the supply and installation of horticultural materials and equipment and a 5 x 6 single rows micro drip irrigation system with 3 sets of mixing/storage tanks serving the five tunnels.
- 3.2. Documents to accompany this bid specification are listed in the Table of Contents.

4. PROJECT LOCATION

- 4.1. The farm is situated in the Kwadukuzai Local Municipality in the Ilembe District Municipality, approximately 12 km south of Kwadukuza, 6km south east of Shakaskraal, just north of Salt Rock.
- 4.2. Site Coordinates: 29° 28' 38.285"S .& 31°14' 110"E.



B | SPECIAL TERMS & CONDITIONS

1. INTRODUCTION

- 1.1 Bidders must ensure that they are fully aware of all the Terms and Conditions contained in this bid document. Only bidders that fully meet the prequalification shall be considered.
- 1.2 The Bidder is required to check the number of consecutively numbered pages and should any found to be missing or in duplicate, or the text of figures indistinct, or should there be any doubt or obscurity as to the meaning of any part of these documents, the Bidder must ascertain the true meaning or intent of the same prior to the submission of his/her Bid, as no claims arising from any incorrect interpretation will be admitted.

2. ACCEPTANCE OF BID

- 2.1 The Departmental Bid Adjudication Committee is under no obligation to accept any bid.

3. AMENDMENT OF CONTRACT

- 3.1 Any amendment to or renunciation of the provisions of the contract shall at all times be done in writing and shall be signed by both parties, subject to the Departmental Bid Adjudication Committee approval.

4. AWARD

- 4.1 Bidders who meet the prequalification shall be scored on functionality and only bidders with a minimum score of 70 shall be evaluated on price and preference points.

5. BASIS OF QUANTITIES

- 5.1 Quantities are as reflected on the Bill of Quantities.

6. BBBEE CERTIFICATE

- 6.1 A bidder claiming BBBEE points must submit a valid BBBEE certificate or a sworn affidavit together with the bid.

7. CHANGE OF ADDRESS

- 7.1 Bidders must advise the Departmental Supply Chain Management, Contract Administration should their ownership or address (domicilium citandi et executandi) details change from the time of bidding to the expiry of the contract.

8. COMPETENCY OF THE SERVICE PROVIDER

- 8.1. This bid is open for contractors with a Construction Industry Development Board (CIDB) data base grading of **minimum 3 SH/CE**. The contractor is to submit evidence of his/her OWN Active registration.
- 8.2. For evaluation processes, the Department shall apply the evaluation criteria as outlined in the Bid Evaluation Criteria of this bid.
- 8.3. It shall be vital for the appointed supplier to have sufficient financial resources and capacity to finance and execute as per terms and conditions of the contract.

9. COMPULSORY SITE BRIEFING

- 9.1 A compulsory site-briefing meeting will be held with prospective Bidders. Attendance at the meeting will be compulsory and non-attendance shall invalidate any bid. The date and time of the meeting will be published in the Bid Advertisement or, in the case of a quote, be communicated when the prospective service provider is invited to quote.



10. COUNTER OFFERS

- 10.1 Counter offers shall not be considered.

11. DELIVERY CONDITIONS

- 11.1 Delivery of services must be made in accordance with the instructions appearing on the official purchase order.
- 11.2 All deliveries or dispatches must be accompanied by a delivery note stating the official purchase order number against the delivery that has been affected.
- 11.3 In respect of items awarded to them, contractors must adhere strictly to the delivery periods stipulated by them in their bid document.
- 11.4 The instructions appearing on the official purchase order form regarding the supply, dispatch and submission of invoices must be strictly adhered to.
- 11.5 All invoices submitted must be original.
- 11.6 Deliveries not complying with the order form shall be returned to the contractor at the contractor's expense.
- 11.7 No locally manufactured product may be substituted during the contract period with an imported product, and vice versa, without prior approval of the Departmental Bid Adjudication Committee.

12. DETAILS OF PAST OR CURRENT CONSTRUCTION CONTRACTS AWARDED TO THE BIDDER (ANNEXURE B)

- 12.1 The bidder must furnish the following details of verifiable past and current construction contracts.
- 12.1.1. Date of commencement of contract/s;
 - 12.1.2. Value per contract; and
 - 12.1.3. Contract details; that is, with whom held, phone number and Address/s of the companies.

13. ENTERING OF DEPARTMENTAL OFFICES

- 13.1 No representative from a company shall be permitted to enter Departmental premises, buildings or containers where stores are kept unless he/ she is accompanied by the responsible official in charge of stores.

14. EQUAL BIDS

- 14.1 If two or more bidders score an equal total number of points, the contract must be awarded to the bidder that scored the highest points for BBBEE.
- 14.2 If functionality is part of the evaluation process and two or more bidders score equal total points and equal preference points for BBBEE, the contract must be awarded to the bidder that scored the highest points for functionality.
- 14.3 If two or more bidders score equal total points in all respects, the award shall be decided by the drawing of lots.

15. INVOICES

- 15.1 All invoices submitted by the Contractor must be Tax Invoices indicating quantity ordered and quantity delivered, the amount of tax charged and the total invoice amount.
- 15.2 A tax invoice shall be in the currency of the Republic of South Africa and shall contain the following particulars:



- 15.1.1. The name, address and registration number of the supplier;
- 15.1.2. The name and address of the recipient;
- 15.1.3. An individual serialized number and the date upon which the tax invoice is issued;
- 15.1.4. A description of the goods or services supplied;
- 15.1.5. The quantity or volume of the goods or services supplied;
- 15.1.6. The value of the supply, the amount of tax charged and the consideration for the supply; or
- 15.1.7. Where the amount of tax charged is calculated by applying the tax fraction to the consideration for the supply and either the amount of the tax charged, or a statement that it includes a charge in respect of the tax and the rate at which the tax was charged.

16. IRREGULARITIES

- 16.1 Companies are encouraged to advise the Department timeously of any possible irregularities which might come to their notice in connection with this or other contracts.

17. JOINT VENTURES

- 17.1 In terms of the Preferential Procurement Regulations, 2017 pertaining to the Preferential Procurement Policy Framework Act 5 of 2000, a trust, consortium or joint venture must submit a consolidated BBBEE Status Level Verification Certificate for every separate bid.
- 17.2 Should this bid be submitted by a joint venture, the joint venture agreement must accompany the bid document before the closing date and time of bid. The joint venture agreement must clearly specify the percentage of the contract to be undertaken by each company participating therein.
- 17.3 The non-submission of a BBBEE Certificate by a trust, consortium or joint venture shall result in zero (0) preference points being allocated for evaluation purposes.
- 17.4 Each party to a Joint Venture/ Consortium must submit an original valid Tax Clearance Certificate together with the bid before the closing date and time of bid.
- 17.5 The joint venture or consortium must submit a formal agreement that outlines the roles and responsibilities of each member of the joint venture or consortium, nomination of an authorised person to represent the joint venture or consortium in all matters relating to this bid and the details of the bank account for payments to be effected.
- 17.6 The joint venture or consortium must comply with Central Suppliers Database (CSD) registration requirements as per National Treasury directive.

18. LATE BIDS

- 18.1 Bids are late if they are received at the address indicated in the bid documents after the closing date and time.
- 18.2 A late bid shall not be considered and, where practical, shall be returned unopened to the Bidder, accompanied by an explanation.

19. NOTIFICATION OF AWARD OF BID

- 19.1. The successful bidder shall be notified via an advert in the same media as the invitation to tender.

20. PAYMENT FOR SUPPLIES AND SERVICES

- 20.1 A contractor shall be paid by the Department in accordance with supplies delivered and services rendered.
- 20.2 Should a contractor indicate a special discount on his/her account provided payment is made within a certain time, the Department shall make every effort to take advantage of such discount.
- 20.3 Any query concerning the non-payment of accounts must be directed to the Department. The following protocol shall apply if accounts are queried:



- 20.3.1 Contact must be made with the officer-in-charge of the District Office;
- 20.3.2 If there is no response from the District Office, the Director: Finance must be contacted;

20.4 Information as contained on the Central Suppliers Database must be valid/correct. Non-compliance with Tax Requirements shall affect payment.

21. PERIOD OF CONTRACT

21.1 The contract is ad hoc / once off.

22. PRE-QUALIFICATION CRITERIA

22.1 Only bidders who meet both of the following prequalification criteria may respond:-

- 22.1.1. **BBBEE level 1 (as per the provisions of section 4(1)(a) of the PPPFA Regulations, 2017); and**
- 22.1.2. **EME (as per the provisions of section 4(1)(b) of the PPPFA Regulations, 2017)**

22.2 Bidders must submit documentary proof of compliance with the above prequalification criteria.

22.3 Bidders who fail to comply with the above-stipulated prequalification criteria or fail to submit documentary proof of the compliance with the prequalification criteria shall not be considered for this bid.

23. QUALITY CONTROL/ TESTING OF PRODUCTS

23.1 The Department reserves the right to inspect and verify the quality and specifications of the supplied materials and equipment, as well as other items listed on the Bill of Quantities, **before** construction and/or installation. In case of deviations in terms of dimensions, strength, numbers or otherwise, the Contractor shall replace these goods for the correct ones at his/her own expense.

23.2 The same replacement obligation to the Contractor would apply during the construction phase..

23.3 In the case of sustained or repeated non-adherence to the specifications of the materials and/or equipment, as well as in the case of general negligence during the implementation process, the contract may be cancelled. The Department will in such cases seek compensation from the contractor for the estimated costs for completion.

23.4 In cases of deliberate negligence or unwillingness to adhere to the Departmental specifications, the Service provider will be reported to the Provincial and/or National Treasury for listing on the Restricted section of the Central Suppliers database.

24. ORDER OF PRECEDENCE

24.1 This invitation to bid/quote is issued in accordance with the provisions of the Public Finance Management Act (PFMA), Chapter 16 A of the Treasury Regulations and shall be subject to the provisions of the National Treasury Government Procurement General Conditions of Contract (July 2010). The Special Terms and Conditions are supplementary to that of the General Conditions of Contract. Where, however, the special terms and conditions are in conflict with the General Conditions of Contract, the Special Terms and Conditions shall prevail.

25. SUPPLIERS DATABASE REGISTRATION

25.1 A bidder submitting an offer must be registered on the Central Suppliers Database at National Treasury. A bidder who has submitted an offer and is not registered on the Central Suppliers Database shall not be considered at the time of award. No pending registrations shall be considered.

25.2 A Joint Venture/Consortium must be registered on the Central Suppliers Database at the time of submitting the bid.



NB: If a bidder is found to be employed by the State and is on the Central Suppliers database, the bidder shall be disqualified.

26. TAX AND DUTIES

- 26.1 During quotation stage, prices offered and paid must include all customs, excise and import duties, and any other tariffs or taxes levied by the government or statutory body having jurisdiction on the goods provided under this contract, including Value Added Tax (applicable at the current rate).

27. TAX COMPLIANCE PIN

- 27.1 The bidder must submit a valid Tax Compliance Pin with the bid. Bidders should note that their tax compliance status shall be verified through the Central Supplier Database and SARS.
- 27.2 Where a Tax Compliance Pin is not submitted with the bid, the Department shall use the Central Supplier Database to verify the tax matters of the bidder.

28. UNSATISFACTORY PERFORMANCE

- 28.1. Unsatisfactory performance occurs when performance is not in accordance with the contract conditions.
- 28.2. The Departmental official shall warn the contractor in writing that action shall be taken in accordance with the contract conditions unless the contractor complies with the contract conditions and delivers satisfactory supplies or services within a specified reasonable time (7 days minimum).
- 28.3. If the Contractor fails to commence the Works or to proceed with and complete the Works in compliance with the projected timeframes, the Head of Department or his/her representative shall take action in terms of its his/her delegated powers and adopt and exercise one of the following courses wholly or partly, viz: -
- 28.3.1. To direct the Contractor, in writing, on any day named therein to suspend and discontinue the execution of the Works, and to withdraw himself and his workmen from the said Site or Sites,
 - 28.3.2. To make a recommendation to the Accounting Officer for cancellation of the contract concerned.
 - 28.3.3. To Contract or Contracts by calling for Bids or otherwise with any other Contractor or Contractors for the completion of the Works, or any part thereof, at such times and upon such terms as to the Department shall deem best.
- 28.4. In relation to the foregoing provisions the Department shall charge any sums of money which may be paid by the Department for completing the said Contract against the Contractor and if such amount shall exceed this Contract, then the Department shall have the right to recover such excess or any balance thereof from the Contractor by legal proceedings.
- 28.5. When correspondence is addressed to the contractor, reference shall be made to the contract number/ item number/s and an explanation of the complaint.

29. VALIDITY PERIOD OF BID AND EXTENSION THEREOF

- 29.1 The validity (binding) period for the bid shall be 120 days from close of bid. However, circumstances may arise whereby the Department will request bidders to extend the validity (binding) period. Should this occur, the Department shall request bidders to extend the validity (binding) period under the same terms and conditions as originally offered for by bidders. This request shall be done before the expiry of the original validity (binding) period.

30. VALUE ADDED TAX (VAT)

- 30.1 Bid prices must be inclusive of 15% VAT.



- 30.2 Bidders who make taxable supplies in excess of R1 million in any 12-month consecutive period are liable for compulsory VAT registration, but a person may also choose to register voluntarily provided that the minimum threshold of R50 000 (as of 1 March 2010) has been exceeded in the past 12-month period. Bidders who meet the above requirement must register as VAT vendors, if successful, within one month of award of the bid.
- 30.3 For the purposes of calculating preference points, VAT shall not be considered during quotation process.

31. SERVICE LEVEL AGREEMENT

- 31.1 The successful Bidder and the Department will sign a Service Level Agreement prior to commencement of works. A proposed schedule of works must be provided by the contractor for the approval of the Engineer within two weeks of receiving notification of a successful bid.
- 31.2 The Special Terms and Conditions (STC), the Standard Technical Specifications (STS) and the Project Particular Specifications (PPS) as listed in this bid document, together with the Drawings, are deemed to form part of the SLA.

32. COMMENCEMENT OF THE WORK

- 32.1. Site establishment must start within two (2) weeks, and the actual works within three weeks after hand-over of the site, provided that;
- 32.1.1. An official order has been issued;
 - 32.1.2. The contractor is in possession of all relevant documentation required for works execution;
 - 32.1.3. No exceptional circumstances such as inclement weather or other outside the control of either party to the contract prevail.
- 32.2. In case work has not commenced within two (2) weeks of the site hand-over and no attenuating circumstances for the delay can be provided, the Department reserves itself the right to cancel the contract.

33. HANDOVER OF SITE TO CONTRACTOR

- 33.1. The Department will organize a site hand-over to the contractor who will then be introduced to the project stakeholders and participants.
- 33.2. The site will be handed back at works completion after a final inspection by the Engineer revealed no outstanding patent defects.
- 33.3. The Contractor will control the site for the contract duration. Only the Contractor's own employees, Contractor's local labour and Departmental Representatives will be allowed on site.
- 33.4. The Contractor is responsible in the administration, control and security on the site at all times during the contract duration.

34. WATER AND POWER

- 34.1. The Contractor shall make the necessary arrangements for the provision of any water and power. No payment will be made for the provision or use of these services and the cost of these shall be included in the Bid/quoted amount.

35. LOCATION OF CAMP

- 35.1. The Contractor's camp may be erected on the site of the works but must meet the approval of the Engineer, project beneficiaries and landowners.
- 35.2. No persons other than a night watchman may sleep in the camp, without the approval of the local relevant Stakeholder.



36. HOUSING OF CONTRACTOR'S EMPLOYEES

- 36.1. The Contractor shall make his own arrangement for housing, payment and feeding his employees and transporting them to and from the site. However, it may be possible to arrange temporary local accommodation for the Contractor's staff with the participants.
- 36.2. The Contractor is in all respects responsible for the housing and transporting of his employees, and for the arrangement thereof, and no extension of time due to any delays resulting from this, will be granted.

37. LABOUR SOURCE & CAPACITY

- 37.1. The Contractor will be required to satisfy the Department that a sufficient and experienced labor force is employed or that sufficient experienced labour can be acquired to complete the services and produce an acceptable quality of workmanship.
- 37.2. The contractor is encouraged to source unskilled labour from the project participants or local community. The Contractor and the Departmental representative (Engineer or local Agricultural adviser) may negotiate with the participants in this regard to establish all the conditions for the utilization of the local labour.
- 37.3. The Contractor will be responsible for all hiring, payment, housing and transport of all labour used for the duration of the contract.

38. SECURITY & RISK

- 38.1. No one shall be allowed on the construction site after normal working hours except for the necessary security personnel.
- 38.2. The Contractor shall also be responsible for safeguarding all plants, machinery, equipment and materials on site. The Engineer shall not be responsible for any lost, damaged or stolen property or materials. Should any of these situations arise, no allocations will be made in terms of finances or time.

39. MATERIALS: DELIVERY, ON & OFF-LOADING, STORAGE & RESPONSIBILITY

- 39.1. The Contractor shall be responsible for the safe delivery, loading, off-loading, handling and storage of any equipment and materials on site.
- 39.2. All equipment, materials and plant stored on site must be suitably protected against damage or loss by theft or otherwise.
- 39.3. The Contractor shall remain fully responsible for all material and plant etc. until the completed works are handed over and have been officially accepted by the Department.

40. EXISTING ROADS, MUNICIPAL PAVEMENTS, ETC.

- 40.1. The Contractor is advised that he will be held responsible for any damage to the existing pavings, roads, municipal pavements, fences, boundary walls, etc., and will have to repair such damage at his expense.

41. DAMAGE TO PROPERTY

- 41.1 If the Contractor or his/her employees, while engaged in the execution of the contract, shall break, deface, injure, destroy or allow to fall into disrepair any part of the Works or property belonging to the Department, or any private property including: buildings, pavings, roads, fences, walls or grounds contiguous to the premises of the Department on which he or they may be employed, the Contractor will be required to repair, in a perfect and workmanlike manner, at own expense all damage to the approval of the Department. The Completion Certificate will not be issued until the Department is satisfied that all necessary remedial work has been satisfactorily completed.



- 41.2. The Contractor shall take every precaution against damage or nuisance being caused by dust, both to the properties of the Employer and all surrounding properties and shall indemnify the Employer against any claim that might arise there from.

42. UNDERGROUND CABLES AND PIPES

- 42.1. If such services are discovered, immediate notification must be made to the Employer and all work in the vicinity of such cables, pipes, etc., shall cease until safe to proceed.
- 42.2. Should the Contractor damage underground cable or pipes, such damage shall be repaired as soon and safely as possible by the Contractor.
- 42.3. The cost of making good such damage will be met by the Contractor as this must be covered by the Contractor's works insurance.

43. DAILY RAINFALL RECORDS

- 43.1. Submission of rainfall figures is required for the granting of permission of extending the contract period on the basis of inclement weather. If none are kept, the Engineer is under no obligation to grant extension of the completion period for inclement weather.

44. INSPECTION OF WORK

- 44.1. The Departmental representative may at all reasonable times have access to the site where work is being executed for inspection purposes.
- 44.2. The Engineer may request that evidence of the quality or strength of any materials be supplied by the contractor wherever necessary.

45. NOTICE OF COVERING WORK

- 45.1. The Contractor shall give due notice to the engineer whenever any work or materials are intended to be covered in with earth or otherwise in order that their correct dimensions and quality may be ascertained before being covered.
- 45.2. If any such work or materials are covered without such notice having been given, the work or materials shall be uncovered at the Contractor's expense on instructions given by the Engineer.

46. SUB-CONTRACTED WORK

- 46.1. The contractor shall not sub-contract the entire contract.
- 46.2. Sub-contracting shall not relieve the contractor from any liability or obligation under the contract and his/her shall be liable for the acts, defaults and neglects of any sub-contractor, his/her agent or employees as fully as if they were the acts, defaults or neglects of the contractor, his agents or employees.

47. INSURANCE

- 47.1. All accepted approved contractors would be required to provide the following insurance's for the project awarded to them:
- 47.1.1. Insurance against damage, destruction or loss to 50% of the value of the contract.
 - 47.1.2. Public Liability insurance.
 - 47.1.3. All risks (works) policy and Political.

48. PROTECTION OF THE PUBLIC

- 48.1. The Contractor shall be responsible for the protection of the public in terms of the Occupational Health and Safety Act, 1993 (Act No. 85 of 1993). The Contractor shall pay particular attention to watching and warning lighting and must provide any necessary barriers, etc., required for the protection of the public in terms of the Act.



49. INJURY TO PERSONS

- 49.1. The Contractor shall be liable for and shall indemnify the department in respect of any liability, loss, claim or proceedings whatsoever, whether arising in Common Law or by Statute in respect of personal injuries to or death of any person whomsoever arising out of or in the course of or caused by the execution of the Works.

50. DISAGREEMENTS

- 50.1. Notice of disagreement. The Contractor has the right by written notice to the Engineer to require him to consider any disagreement which he raises with the Engineer provided the said written notice shall be given within 14 days after the cause of disagreement has arisen.
- 50.2. Ruling on disagreements. The Engineer shall give a ruling on the disagreement in writing to the Contractor no later than 14 days after his receipt of a written request from the Contractor requiring him to do so. The Engineer shall provide such a ruling with as little delay as possible. During the response time the Contractor shall not alter the status of the works under contention.

51. FIXED PRICE CONTRACT

- 51.1. The contract shall **not** be subject to contract price adjustment.

52. PRICING - COMPLETENESS OF BID

- 52.1. Bidders are required to Bid for all services, products and commissioning as specified in this document and associated plans. This includes those optional items that will be pointed out as required at the bid briefing (e.g. VIP toilet(s), fencing and others). If he/she does not bid on all items, his/her bid will be rejected.
- 52.2. All bid/quoted prices for separate items are to be in South African currency and must **exclude** VAT.
- 52.3. All items as described in the project specification are to be priced in full.
- 52.4. Transport/Delivery costs must be included in the pricing if the Pricing Schedule does not list them separately.
- 52.5. VAT must be filled in as the sub total followed by the complete price for the entire project.
- 52.6. The Bid price page must be signed by a person legally authorized to do so.

53. QUANTITIES OF WORK

- 53.1. The Contractor shall receive payment only for the works actually executed and approved by the Engineer.

54. PROGRESS PAYMENTS

- 54.1. Payment shall only be made for claims that are commensurate with the works actually executed and complete.
- 54.2. Payment will only be made against the construction progress as pertaining to **built /installed** items. Movable items and materials on site are generally excluded from progress payments until they have been fully installed or fitted or built up.
- 54.3. If any item or part of an item in an invoice is disputed by the Engineer, the Engineer shall give notice of such with reasons.
- 54.4. The Engineer may elect to use a **payment schedule** (see Annexure C) that apportions a weighting for the various work phases, in those cases where the actual pricing schedule is not available or lacks balance.
- 54.5. The contractor shall be paid in up to a minimum of five part-payments. The Contractor is strongly advised to request at least five payments when being notified of him/her being awarded the contract.



- 54.6. Part payments will be made after the Engineer has approved the work and will be made in accordance with the Retention clause (56).
- 54.7. The penultimate payment occurs after practical works completion. The final payment will be made after the 12 months liability period when the contractor has dealt with all defects, if any.

55. COMPLETION OF THE WORKS

- 55.1. Work completion will be established over three stages, in line with the JBCC.

55.1.1. Practical completion

This is defined as the stage when the works are found to be substantially complete and can be used for the purposes intended. This assessment will be solely made by the Engineer. When the Contractor thinks he has completed the works, an inspection will be made by the Engineer who will draw up a list of patent defects, commonly known as a "snag list", if any. *Patent defects* are defects that are visible or discoverable upon an ordinary and proper inspection.

55.1.2. Works completion

This stage will be reached after the Contractor has, to the sole assessment of the Engineer, fixed all defects listed on the snag list. It is at works completion that the Contractor will be paid out 50% of his/her retention money.

55.1.3. Final completion

Final Completion occurs 12 months after Works completion, after expiry of the liability period.

56. RETENTION

- 56.1. A 10% retention will be withheld on payment for duration of the construction.
- 56.2. The Department will pay out half of this retention, or 5% of the bid value as part of the second last payment at **practical completion** of the works. The remainder, viz 5%, will be paid out at **final completion** after expiry of the defect liability period (12 months after practical completion), the bidder having eliminated all defects.
- 56.3. In some instances, the Engineer may decide to shorten this period order to allow all payments to be completed within the financial year. However, this is **not** a given and the Contractor will be notified during the course of the construction if such would be the case.

57. DEFECT LIABILITY PERIOD

- 57.1. The defect liability period is 12 calendar months calculated from the date of Practical Completion.
- 57.2. The contractor shall unconditionally guarantee all materials, workmanship related to the works for that period. The guarantee shall cover any defects due to inferior materials and/or workmanship of the Contractor, or any of his sub-contractors, fair wear and tear excepted. The Contractor shall repair, remedy or replace any such defects, part or complete works without delay and at his own cost.

58. CONTINGENCIES

- 58.1. An amount of 10% of the subtotal for all materials, equipment and services has been set aside for Contingencies. This allowance will only be accessed for unforeseen additional expenditure not covered in the contract. Such approval must be in line with SCM Delegations.

59. PERIOD OF COMPLETION & RATE OF PROGRESS

- 59.1. The project has to reach practical completion within 4 months of award of the contract (120 calendar days).
- 59.2. If the Works are delayed by any cause beyond the Contractor's control, the Contractor shall have the right within twenty-one days of any such cause of delay arising, to apply in writing to the Department to extend the date of completion, stating the cause of delay and period of extension applied for.



- 59.3. The Department upon receipt of such written application may by order in writing extend such date of completion by a period to be determined, or may refuse to extend such date of completion, or may postpone giving a decision upon such application until completion of the Contract period set out in sub-clause (a) of this clause.
- 59.4. The date of completion will be extended only to the extent approved by the Department.
- 59.5. Should the Contractor fail to apply in writing for an extension within the time set out above, or should the Department refuse to grant any extension in writing, then the Contract period provided shall not be exceeded.
- 59.6. When the Works are completed the Department will give a completion certificate and the date of such certificate shall be the date of commencement of the guarantee period.

60. PENALTY CLAUSE / FINES FOR LATE OR NON-COMPLETION

- 60.1. If the contractor does not complete the work within the time stipulated and no extenuating circumstances can be given for the delay, the Department may impose a fine as detailed below. The total will be subtracted from the retention allowance.
- 60.2. If the contractor fails to complete the works and the Department is forced to employ another contractor to complete the works, the defaulting contractor will be held liable for the costs as far they exceed the original total Bid value.
- 60.3. The department will deduct a penalty for late completion of up to **0.05% of the contract value per working day delay**. This will be deducted from the retention.



61. BID EVALUATION CRITERIA

- 61.1. Compliance with Special terms and Conditions
Only bids that meet the Special Terms and Conditions in all aspects as stipulated in the bid document shall be considered.
- 61.1. Correctness of information
All information required in the bid document must be accurate and duly completed including all the appropriate signatures. The Department reserves the right to verify all information submitted. Non-compliance with the above shall result in elimination from further processes
- 61.2. Compulsory administrative compliance documents that must be submitted with the bid:
- 61.2.1. Central Suppliers Database registration number;
 - 61.2.2. Proof of valid and active CIDB 3 GB registration where applicable;
 - 61.2.3. Certified Copies of the Identity documents for company members/service providers;
 - 61.2.4. A certified copy of a valid BBBEE certificate or valid sworn affidavit for purposes of confirmation of the bidder being a Level 1 BBBEE;
 - 61.2.5. Documentary proof of bidder being an EME (e.g. Financial Statement) ;
 - 61.2.6. Documentary proof of bidder's experience in support of Annexure B
 - 61.2.7. Documentary proof of credit facility with manufacturer and/or Registered Financial Institution or evidence of access to any legal funding instrument.
- 61.3. Non-submission of any of the above documents shall result in disqualification.
- 61.4. Where copies of original documentation are submitted, those copies must be certified and must not be copies of certified copies. Original certification should not be older than three (3) months. Failure to comply with this requirement shall invalidate the bid submitted.

**62. FUNCTIONALITY EVALUATION**

62.1. The bid documents shall be evaluated individually on score sheets, by a representative evaluation panel, according to the below mentioned evaluation criteria.

62.2. All service providers who score less than minimum functionality score of (70%) shall not be considered for the work

62.3. The evaluation criteria are as in Table 1 below.

TABLE 1: BID EVALUATION CRITERIA				
	FUNCTIONALITY EVALUATION CRITERIA	Max Points	Evidence	Bidders Score
1.	Bidder's experience in the supply, erection and installation of greenhouse tunnels OR installation of micro drip irrigation or hydroponics 1 – 3 projects = 15 points >3 projects = 25 points	25	Completion Certificate (Works or other) In support of Annexure C	
2.	Financial Capacity Total Credit Facility (with financial institution and/or manufacturer of irrigation material) R250 000.00 - R500 000.00 = 15 points >R500 000.00 = 25 points	25	Evidence of credit facility with manufacturer/supplier and/or Registered Financial Institution Or Evidence of access to any legal funding instrument (e.g. Letter of intent)	
3.	Access to a transportation facility/ Light Delivery Vehicle (LDV) / Truck	10	Letter of commitment from fleet company Or Confirmation from producer that delivery shall also be undertaken Or Documentary proof of transport or transportation facility (Log Books/ Letter of agreement supported by Log book)	
4.	Proof of Physical address Office of Bidder outside borders of KZN = 5 pts Office of Bidder within borders of KZN = 20 pts	20	Lease agreement; Municipal Utility Bill; or Copy of Bank Statement (first page only) with address	
5.	Company Ownership/ Business Or Shareholding ≥ 50% Women = 10 points ≥ 50% Youth = 5 points ≥ 50% People with disabilities = 5 points ≥ 50% Military Veterans = 5 points	20	CIPRO Registration (Ck documents or share certificates) Or Certificate issued by Department of Defence and Military Veterans	
	TOTAL	100		
	Minimum Functionality Threshold	70%		

**C | STANDARD TECHNICAL SPECIFICATIONS****1. PRELIMINARIES & GENERAL**

The contractor is to note that all insurances (UIF, workmen compensation, works, public liability etc.); site and equipment safety; site establishment and security; services (water and electricity); testing of materials and any specialist services are for the contractor's responsibility and attention throughout the contract duration until handover of the project. This item also includes Occupational Health & Safety Act requirements. The Department reserves the right to stop progress of the works in case of non-compliance until these conditions are complied with.

2. APPLICABLE STANDARDS: SPECIFICATIONS & MATERIALS

2.1. For the purpose of this Contract the relevant SANS specifications shall apply- specifically SABS 1200: *Standardized Specification for Civil Engineering Construction* specifications shall apply. The following sections shall in particular apply here:

2.1.1. **SABS 1200 AA - 1986** (General - Small Works),

2.1.1.1. Materials: SABS 1200 AA (3);

2.1.1.2. Testing: SABS 1200 AA (7);

2.1.2. **SABS 1200 DA -1988** (Earthworks - Small Works)

2.1.3. **SABS 1200GA – 1982** (Concrete - Small Works).

2.1.3.1. Materials SABS 1200 GA (3)

2.1.3.2. Mixing, pouring and curing of concrete: SABS 1200 GA (5.4)

2.1.3.3. Testing: SABS 1200 GA (7)

2.1.4. **SANS 50197-1:** Cement: Common cement 32,5N or R to SANS 50197-1

3. APPLICABLE STANDARDS: EARTHWORKS AND SITE PREPARATION

3.1. Normal regulations regarding safety, municipal by-laws, contamination of water sources, erosion, siltation etc. will still apply.

3.1.1. **SABS 1200 AA - 1986** (General - Small Works),

3.1.1.1. Site preparations & establishment: SABS 1200 AA (4).

3.1.1.2. Setting out of works: SABS 1200 AA (5.1.1)

4. APPLICABLE STANDARDS: STANDARD (ABRIDGED) PREAMBLE FOR ALL TRADES

4.1. All materials to be SANS approved and installed to applicable standards specified by SANS, NBR, or the manufacturer. The Bid shall refer to "the Standard (Abridged) Preamble for all trades", which covers the following (only the items in italics apply to this contract):

STANDARD (ABRIDGED) PREAMBLES TO ALL TRADES**INDEX**

	Page
1 EARTHWORKS	3
2 CONCRETE, FORMWORK AND REINFORCEMENT	3
3 BLOCK AND BRICKWORK	6
4 WATERPROOFING	8
5 CARPENTRY AND JOINERY	8
6 FLOOR COVERINGS, PLASTIC LININGS, ETC.	11
8 SCREEDING AND PLASTERING	16
10 DRAINAGE AND PLUMBING	19
11 SANITARY PLUMBING AND FITTINGS	25



12	FIRE EXTINGUISHERS	31
13	GLAZING	31
14	PAINTING	31

5. MATERIALS AND CONSTRUCTION

- 5.1. All materials must be newly purchased and conform to SABS specifications for the products. This includes all items such as bricks, blocks, brick reinforcement, damp proofing, lintels, glazing, plumbing and drainage, curtains, etc... All construction works must conform to the applicable standard specifications and installation requirements as per NBR requirements and manufacturers recommendations. All concrete works to conform to CNCI standards and recommendations.

6. STANDARD CONCRETE MIXES

- 6.1. Cement and aggregates shall be mixed by volume and the contents of a 50kg sack of cement shall be taken to be 0,033m³.
- 6.2. Water addition should be kept to a minimum. Only sufficient water should be used to produce a workable mix of 60-100mm slump. A recommended maximum water : cement ratio is 1 for a 10MPa; 0.8 for a 15MPa; 0.65 for a 20MPa; 0.59 for a 25MPa; 0.53 for a 30MPa mix, however the lower the ratio the better the durability of the concrete. Approximately 210 litres per m³ of concrete is required for an average quality sand and optimum quantity 19mm stone.
- 6.3. Concrete for non-structural purposes shall be "Prescribed mix concrete" produced in accordance with the requirements indicated in Table 2.

Class of Concrete	Min. Compressive Strength in MPA at 28 Days	Nominal Size of Coarse Aggregate in mm	Proportion of Constituents >> 1 Wheelbarrow = 2 bags of cement		
			Cement Parts	Sand (Parts)	Stone (Parts)
A	10	37,5	1	4	5
B¹	15	19,0	1	3	4
C²	20	19,0	1	2.5	3.5
D	25	19,0	1	2	3
E	30	19,0	1	2	2½

7. STANDARD PLASTER & MORTAR MIXES

- 7.1. The standard plaster mixes are as listed in Table 3:

PLASTER CLASS:	MIX RATIO: (By Volume)	MASONRY CEMENT: kg	LIME: L	SAND: (loose and damp) L (max)
Rich mix (fdns, wet areas)	1 : 4	50	0-10	130
General purpose	1 : 5	50	0-40	165

- 7.2. The standard mortar mixes are as listed in Table 4:

MORTAR CLASS	MIX RATIO: (By Volume)	MASONRY CEMENT: kg	LIME: L	SAND: (loose and damp) L (max)
I	1 : 4	50	0-10	130
II	1 : 6	50	0-40	200



8. FINISHES TO IN-SITU CONCRETE

8.1. Class U1 Ordinary Finish

Immediately after placing, the concrete shall be finished rough by screeding with the edge of a wooden board of straight and true line and working between guides set accurately to level. No mortar shall be added and noticeable surface irregularities caused by the displacement of coarse aggregate shall be made good by re-screeding after removing or tamping down the offending aggregate.

8.2. Class U2 Wood Float Finish

The concrete surface shall first be brought to the standard Class U1 ordinary finish and then floated with a wood float. Floating shall be started as soon as the screed finish is stiffened sufficiently and bleed water has evaporated or been removed and it shall be the minimum necessary to produce a surface free from screed marks and uniform in texture.

8.3. Class U3 Coarse Brush Surface Finish

The concrete surface shall first be brought to a Class U1 ordinary finish. A coarse brush finish is then applied with a coarse bristle brush. "Brushing" shall be started soon after screeding to produce a uniform patterned coarse surface finish with a rough surface texture in the direction of the desired drainage direction.

8.4. Class U4 Steel Float Finish

The concrete surface shall first be brought to the standard Class U1 ordinary finish and then floated with a steel power float. Floating shall be started as soon as the screeded finish is stiffened sufficiently and bleed water has evaporated or been removed and it shall be the minimum necessary to produce a surface free from screed marks and uniform in texture.

**D | PROJECT PARTICULAR SPECIFICATIONS****1. PROJECT DESCRIPTION/ BACKGROUND**

- 1.1. This contract covers the supply, erection and equipping of five (5) greenhouse tunnels (8.0 - 9.0m x 30.0m), including the supply and installation of horticultural materials and equipment and 5 x 6 single rows micro drip irrigation system with 3 sets of mixing/storage tanks serving the five tunnels.

2. DETAILED SCOPE OF WORKS

- 2.1. The contract includes the following construction work:

- 2.1.1. Levelling of site to a uniform longitudinal slope of 1.0 – 2.0%;
- 2.1.2. The supply, erection and equipping of 5 dome shaped greenhouse tunnels with Luminance THB Polythene greenhouse sheeting. Tunnel dimensions: 8.0 - 9.0m (w) x 30.0m (l) x 3.3 - 4.0m (h).
- 2.1.3. Supply of a 5000L storage tank + 500L mixing tank, plus pump, ball valve and fittings;
- 2.1.4. Construction of three tank stands (see figure 1), dimensions 2.95m x 2.10m x 0.7m (0.5m above ground) with a concrete slab on M150 block walls on strip foundation;
- 2.1.5. The supply and installation of horticultural material and equipment for both tunnels. See paragraphs 7.2, 8.2 and 8.3 and Drawing 1 (TYPICAL TUNNEL).
- 2.1.6. The supply and installation of a micro irrigation system in all five tunnels as per the specifications of paragraphs 9.1 and 9.2 and Annexure C.
- 2.1.7. Connection of internal irrigation lay out of the tunnels to the tanks.
- 2.1.8. Any other installations/connections required to bring the system into working order.
- 2.1.9. Fencing off of the six tunnels with 1.2m high hinged joint fencing with 3 strands of barbed wire, plus 4.8m x 1.8m farm gate. Fence height 1.80m.

3. APPLICABLE STANDARDISED SPECIFICATIONS

- 3.1. For the purpose of this Contract the relevant SABS specifications shall apply. All materials to be SABS approved.

4. EXTERNAL INFRASTRUCTURE (SEE DRAWING TYPICAL TUNNEL)**4.1. Tunnel structure****4.1.1. Arches**

- 4.1.1.1. Main arch 48mm x 2mm structural pipe
- 4.1.1.2. Arch - cross-bracing 38mm x 2mm structural pipe
- 4.1.1.3. Arch - down-bracing 38mm x 2mm structural pipe
- 4.1.1.4. End bracing - 38mm x 2mm - both ends
- 4.1.1.5. Centre spine - 42mm x 2mm x 30m
- 4.1.1.6. Clamp bar - 38mm x 2mm (1m above ground level - 1 side only)

Arches

- sides to be driven in 600mm below ground level. If required, for example in the case of loose or wet soil profiles, alternate steel arch holders must be placed in 400 x 400 x 500mm 15 MPa concrete footings.
- structural steel pipe - SABS galvanised
- all bracing secured by galvanised nuts and bolts.

4.1.2. Doors, Ends and Sides of Structure**4.1.2.1. Doors**

- 2 x 1.5m x 2.2m x 38mm covered with plastic

4.1.2.2. Ends

- Covered by 55% shade cloth



4.1.3. Top Covering

Greenhouse sheeting – Luminance THB Polythene (200 micron) – 12.0m x 32.0m.

NOTES

Top plastic to be stretched 3% greater than its length over the framework, buried in the ground on one side and fixed by plastic clamps on opposite side.

5 INTERNAL INFRASTRUCTURE (BOTH TUNNELS)

5.1 Floor covering and levels

- 5.1.1 Black/white plastic sheeting: 8.0m x 30.0m (150 micron)
- 5.1.2 Earth mounds - 50mm high x 800mm wide x 30m long (6 mounds/tunnel)
- 5.1.3 Earth mounds to be constructed of suitable material (minimum 25% clay)

5.2 Trellising

- 5.2.1 Trellising wire – 5 x 6 lines x 30m each - using 2.2mm veld wire strained 2.2m above ground level.
- 5.2.2 Wire strained by Donaldson Wire Strainers
- 5.2.3 Wire enclosed by 20mm LDPE pipe
- 5.2.4 5 x 600 tie cord holders (standard orange bailing twine)

6 MISCELLANEOUS

6.1 Plastic clamps

- 6.1.1 Made from 2mm SABS PVC pipes
- 6.1.2 Clamps for plastic and shade cloth made from 40mm and 50mm PVC pipes (30% of pipe diameter sawn off and sharp edges filed off);
- 6.1.3 Clamps holding top plastic on both ends to be pop-riveted and spaced 300mm apart;
- 6.1.4 Clamps holding shade cloth to be spaced 300mm apart on both ends;
- 6.1.5 Clamps on clamp bar holding plastic to be spaced 500mm apart.

6.2 Growing Bags

- 6.2.1 5 x 600 x 20L black plastic bags, (180 micron)
- 6.2.2 10mm drainage holes

6.3 Growing medium

- 6.3.1 Standard is 2000kg course textured untreated pine wood shavings.
- 6.3.2 However, another medium may be required depending on the crops grown. This will be communicated at the bid briefing.

7 IRRIGATION EQUIPMENT AND NUTRIENT SUPPLY

**7.1 Nutrient Supply Serving Both Tunnels (Pump, Manual Timer)
See Bill of Quantities**

**7.2 Tunnel Internal Fittings For 5 X 600 Plants (Bill Serves All 5 Tunnels)
See Bill of Quantities**

7.3 LDPE piping (external)

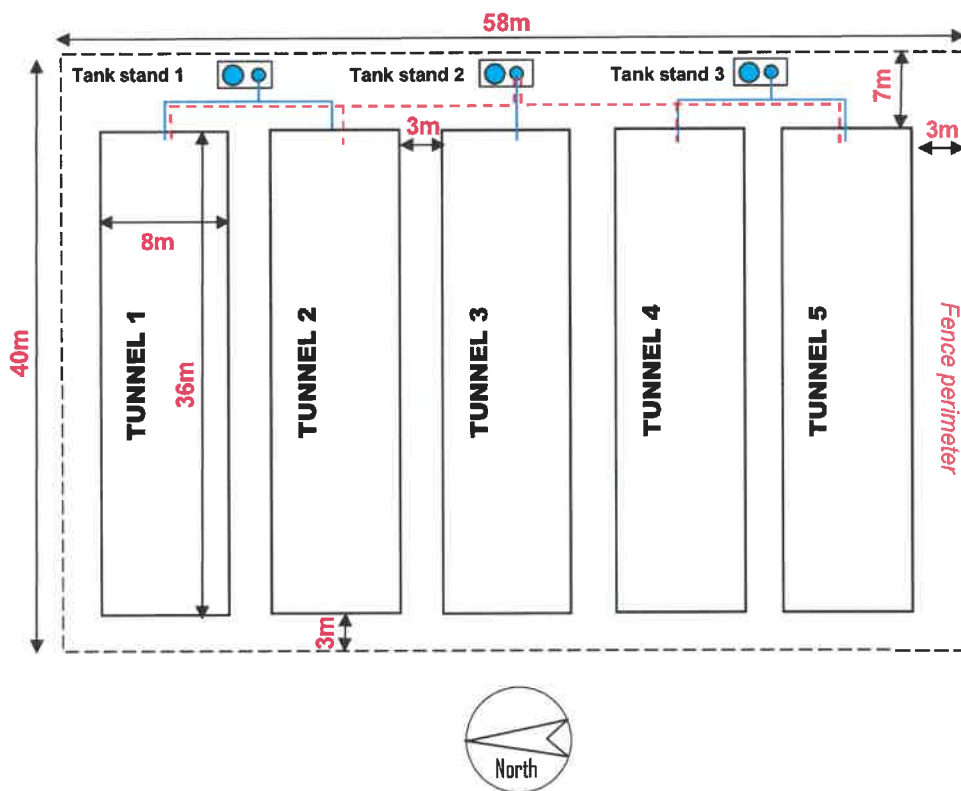
- 7.3.1 40mm Class 3- 3 rolls of 100m (excess length to be left on site for repairs)



8 SITE PLAN

- 8.1 Tunnels to be placed as much as possible in an East-West direction. This is a standard configuration. The actual orientation of the tunnels may differ.
- 8.2 Tanks on stand 1 will supply water to tunnels 1 & 2, whereas tunnels 4 & 5 will be irrigated from tanks on stand 3. Tank 2 will normally supply water to tunnel 3 only, but will serve as a back-up water source for all 5 tunnels in case of emergency. See dashed red line on drawing below

Figure 1: Site plan showing the 5 tunnels and location of the tank stands.
Fencing is not required for this project



**ANNEXURE A: SCHEDULE OF WORKS/PRICING SCHEDULE (1)**

BILL OF QUANTITIES/PRICING SCHEDULE FOR THE SUPPLY, ERECTION & INSTALLATION OF FIVE GREENHOUSE TUNNELS AUGUST 2018 PAGE 1						
ITEM	DESCRIPTION	UNIT	QTY per 2 tunnels	QTY per 5 tunnels	RATE	AMOUNT
1	EXTERNAL INFRASTRUCTURE					
<i>Supply & Erection of 5 Greenhouse tunnels</i>						
1.1	Site levelling (1-2% slope longitudinal)	Sum	1	1		
1.2	Greenhouse tunnel frame + roof cover. 30 x 8.0-9.0m. 2mm extra strength steel. Windy end kits. Hinge doors 2 x each end, (1.5m (w) x 2.2-2.5m (h)). Top gantry rail. Extra strength hinge clamps. Luminance THB Polythene 200 µmm.	No.	2	5		
1.3	Erection costs	Sum	1	1		
1.4	Other costs for labour and supervision	Sum	1	1		
1.5	Transport costs	Sum	1	1		
1.6	Supply & installation of a 5000L storage tank + fittings	No.	1	3		
1.7	Supply & installation of a 500L mixing tank + fittings	No.	1	3		
1.8	Tankstand 2.95m x 2.15m to fit 5000L tank plus 500L tank - 25 Mpa concrete slab on block walls 600mm on strip foundation. Incl. labour	No.	1	3		
1.9	40mm LDPE Class 6 pipe. Rolls of 100m	No.	1	3		
1.10	Drainage canal at the lower end of the tunnels 0.5 x 0.5 x 100m	Sum	1	1		
2	NUTRIENT SUPPLY - IRRIGATION					
<i>The supply & installation of internal irrigation as per specifications of clauses 9.1 & 9.2 & Annexure C. Incl. pump.</i>						
2.1	0.37 kW 2200 Motor pump and pressure dome combination	No.	1	3		
2.2	220 volt to 24 volt plug in transformer	No.	1	3		
2.3	25mm 24 volt solenoid valve	No.	1	3		
2.4	Single 15 amp surface mounted switch plug	No.	1	3		
2.5	Double 15 amp surface mounted switch plug	No.	1	3		
2.6	24 hr electric timer with 15 minute intervals manual settings	No.	1	3		
2.7	Glass fibre standard household meter box (empty)	No.	1	3		
2.8	Steel structure app. 1 x 1 x 1m with roofsheet to protect pump	Sum	1	3		
2.9	15 amp plug tops	No.	1	3		
2.10	2 core and earth 1.5mm electrical cable	m	50	125		
2.11	Glands	No.	12	30		
2.12	25mm pressure reducer	No.	2	5		
2.13	25mm flow control valve	No.	2	5		
2.14	25mm nylon thread adaptors	No.	12	30		
2.15	25mm to 25mm nylon reducer	No.	2	5		
2.16	40mm in line filter	No.	2	5		
2.17	25mm hose clamps	No.	12	30		
2.18	32mm hose clamps	No.	12	30		
2.19	40mm 90 deg ball valve/ stop cock	No.	1	3		
2.20	40mm nylon thread adaptor	No.	1	3		
2.21	20mm class 3 LDPE black pipe (drip lines). Rolls of 100m	No.	4	9		
2.22	25mm class 6 LDPE black pipe (laterals). Rolls of 100m.	No.	1	1		
2.23	Spaghetti tubing: 500mm (l) x 2.0mm (I.D) each secured by spaghetti tube holder.	No.	1200	3000		
2.24	25mm to 20mm nylon tees	No.	12	30		
2.25	40mm to 25mm nylon tees	No.	2	5		
SUBTOTAL - TRANSFER TO NEXT PAGE					R	

**ANNEXURE A: SCHEDULE OF WORKS/PRICING SCHEDULE (2)**

BILL OF QUANTITIES/PRICING SCHEDULE FOR THE SUPPLY, ERECTION & INSTALLATION OF FIVE GREENHOUSE TUNNELS AUGUST 2018 PAGE 2						
BROUGHT FORWARD FROM PREVIOUS PAGE					R	
ITEM	DESCRIPTION	UNIT	QTY per 2 tunnels	QTY per 5 tunnels	RATE	AMOUNT
2	NUTRIENT SUPPLY - IRRIGATION (CTD)					
2.26	25mm 90 stop cock	No.	2	5		
2.27	25mm nylon thread adaptors	No.	4	10		
2.28	20mm nylon stop ends	No.	8	20		
2.29	25mm nylon stop ends	No.	2	5		
2.30	32mm nylon stop end	No.	1	2		
2.31	25mm hose clamps	No.	8	20		
2.32	32mm hose clamps	No.	12	30		
2.33	8 litre per hour Netafim or equivalent pressure regulator	No.	300	750		
2.34	4 way manifolds Netafim or equivalent	No.	300	750		
2.35	arrow drippers Netafim or equivalent	No.	1200	3000		
2.36	INSTALLATION COSTS FOR FIVE TUNNELS	Sum	1	1		
3	TUNNEL INTERNAL FITTINGS FOR 5 X 600 = 3000 PLANTS (HORTICULTURAL)					
<i>The supply & installation of horticultural material & equipment for 5 tunnels. See 7.1, 7.2, 8.2 & 8.3 & Drawing 1 (TYPICAL TUNNEL).</i>						
3.1	Hydroponic black & white polyfilm sheeting ("Panda film") – 8.0 – 9.0m x 30m (150 micron)	m ²	240	1200		
3.2	Trellising wire – 25 x 6 lines x 30m each - using 2.2mm veld wire strained 2.2m above ground level.	m	360	900		
3.3	Donaldson wire strainers for trellising wire	No.	12	30		
3.4	Tie cord holders (standard orange bailing twine)	m	1000	2500		
3.5	Growing bags, black, 20L, 180 micron, with 10mm drainage holes	No.	1200	3000		
3.6	Growing medium - coarse textured untreated pine wood shavings	kg	2000	5000		
4	TANKS & TANKSTAND FOR TWO TANKS (5000L & 500L) + PUMP					
<i>Construction of three tankstands for the 5000L and 500L tanks and pump</i>						
4.1	Supply and installation of 5000L water tank. Include fittings	No.	1	3		
4.2	Supply and installation of 500L water tanks. Include fittings.	No.	1	3		
4.3	Cement. Packets of 50 kg	No.	18	54		
4.4	Umgeni sand	m ³	2.0	6.0		
4.5	Stone	m ³	2.7	8.1		
4.6	Building sand	m ³	0,1	0,3		
4.7	M150 blocks	No.	80	240		
4.8	Y8 Rebar	m.	4	12		
4.9	Ref 395 mesh 2.85 x 1.65m	Sum	1	1		
4.10	Galvanised steel wire 2.0mm	m	35	105		
4.11	Labour & Supervision for construction of tankstands	Sum	1	1		
5	ADDITIONAL WORKS NOT LISTED					
5.1		Sum	1	1		
5.2		Sum	1	1		
5.3		Sum	1	1		
SUBTOTAL ALL ITEMS R						
6	CONTINGENCIES					
6.1	Ancillary works, materials and equipment 10% OF SUBTOTAL ALL ITEMS	Sum	1	1		
SUBTOTAL 5 TUNNELS R						
VAT 15% R						
TOTAL R						

**ANNEXURE B PAYMENT SCHEDULE SUPPLY AND ERECTION TUNNELS**

Payment #	Phase Description	% of total contract	% payment after completion	
1	Preliminary & General & Site establishment	10%	9.0%	
2	Supply and erection of 5 new tunnels (excluding irrigation and horticultural equipment)	40%	36.0%	
3	Supply & installation of tanks + pumps & valves plus construction of tank stands.	10%	9.0%	
4	Supply and installation of irrigation system and horticultural materials and equipment in all tunnels and linking of all system elements to each other and to tanks and water source.	25%	22.5%	
5	Water & electricity supply to tunnels: Connection of tunnels to grid and/or municipal water supply or other water sources	10%	9.0%	
6	Clearing of site and commissioning	5%	4.5%	9.5%
	5% retention at practical completion	--	5.0%	
7	5 % retention at final completion	—	5%	
	TOTAL	100%	100%	



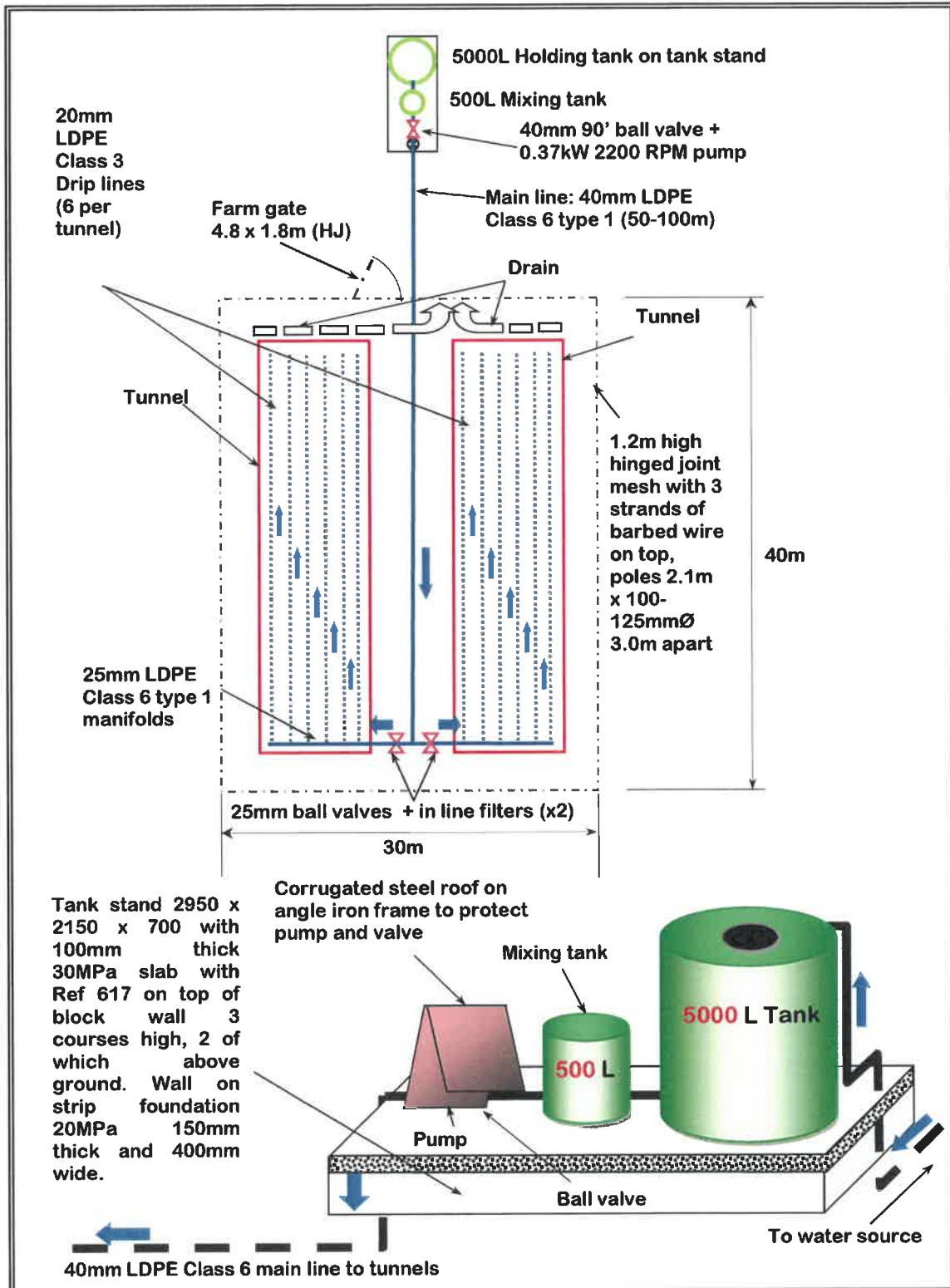
ANNEXURE C: EXPERIENCE

Please indicate your experience and expertise by completing the table. Additional sheets can be added separately in case of insufficient space.

#	NAME OF PROJECT + PERIOD	PROJECT DESCRIPTION	ROLE (SELF OR SUB-CONTRACTED)	PROJECT VALUE	NAME AND CONTACT NUMBER OF REFEREE
1					
2					
3					
4					
5					



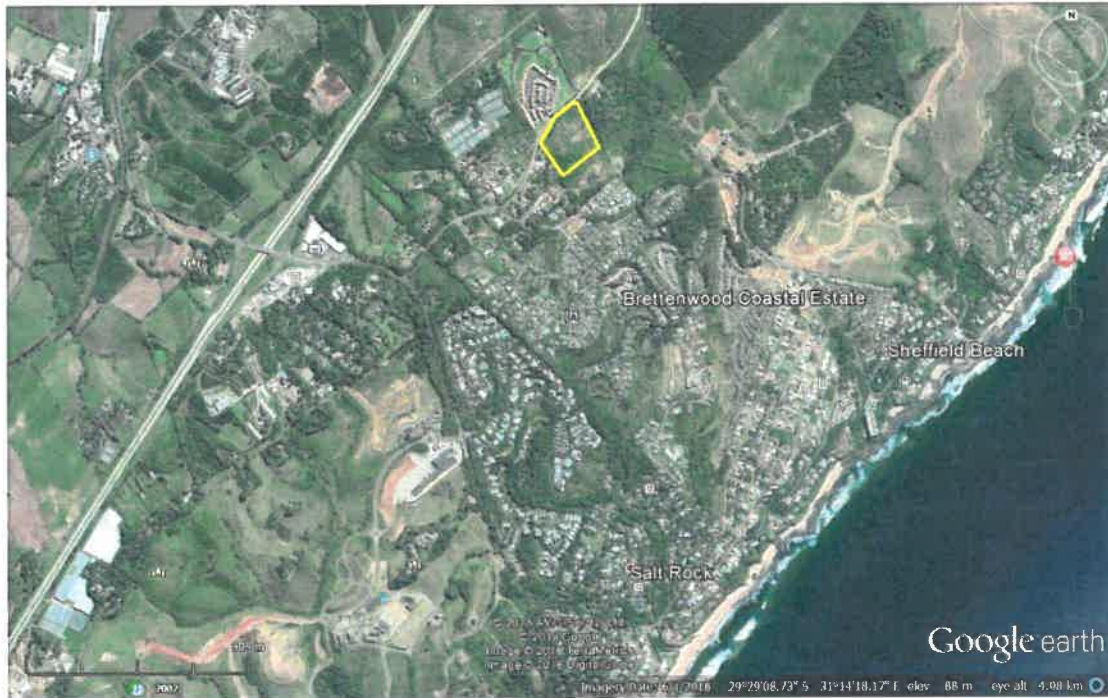
ANNEXURE D: PROPOSED WORKS & TYPICAL SITE LAY OUT (2 TUNNELS)





ANNEXURE E: LOCALITY MAP AND SITE PLAN BARO FARMERS PROJECT SITE

LOCALITY MAP OF THE BARO FARMERS PROJECT SITE NEAR SALT ROCK



SITE PLAN WITH TWO POSSIBLE CONFIGURATIONS FOR THE LOCATION OF THE TUNNELS AS DETERMINED BY THE PREVAILING SLOPE





ANNEXURE F:

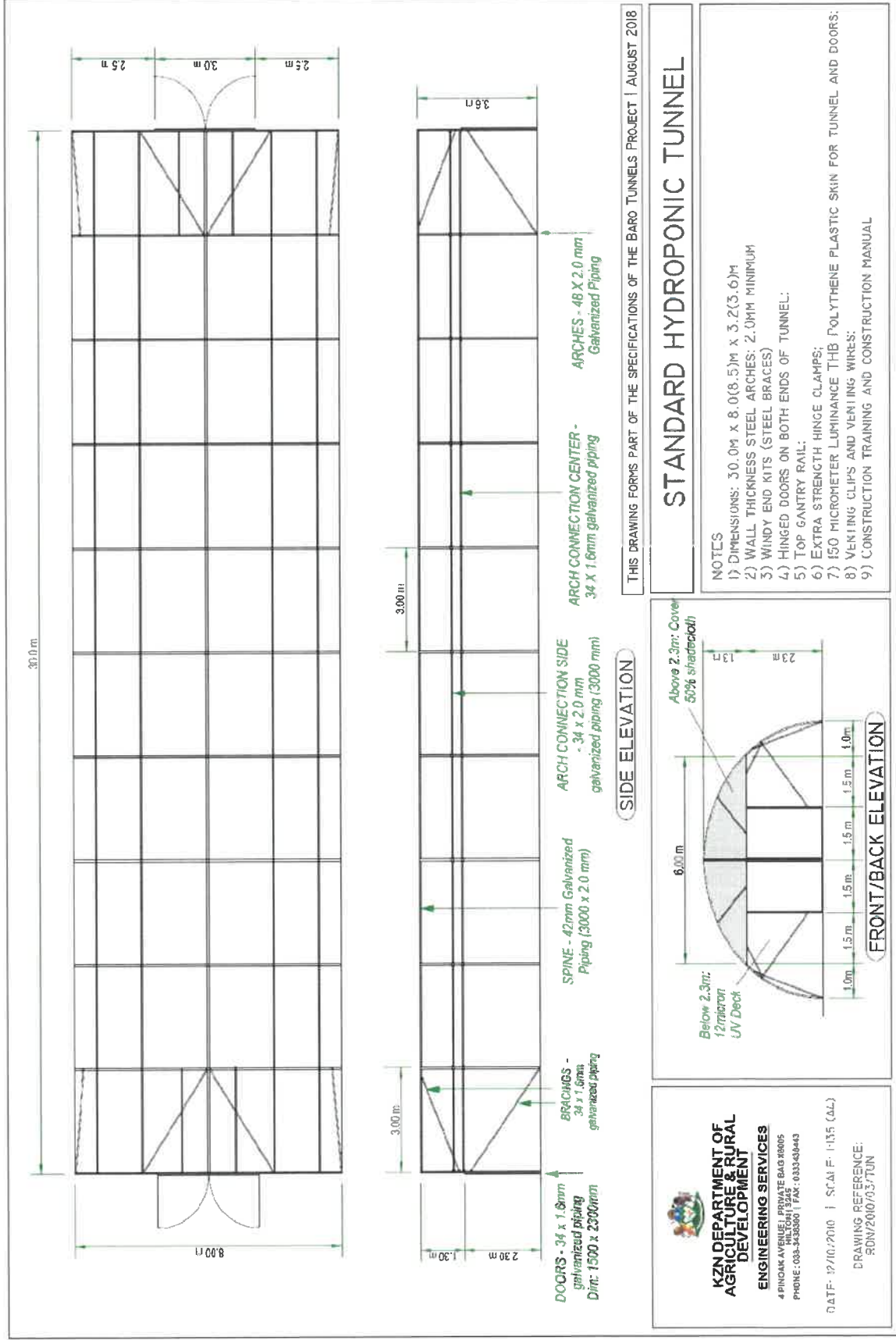
LIST OF DRAWINGS

NO.	REFERENCE NO.	TITLE
1	RDN/2013/03/TUN	STANDARD HYDROPONIC TUNNEL – ROUNDED SIDES
2	--	STANDARD HYDROPONIC TUNNEL – STRAIGHT SIDES
3	RDN/2013/21/FEN	SPECIFICATIONS HINGED JOINT FENCING WITH BARBED
4	RDN/2018/012/NUR	TANKSTAND 5000L + 500L



DRAWING 1:

STANDARD HYDROPONIC TUNNEL – ROUNDED ARCH SIDES



KZN DEPARTMENT OF AGRICULTURE & RURAL DEVELOPMENT

ENGINEERING SERVICES

4 PHINDAK AVENUE, SANDHURST, CAPE PROVINCE
 PHONE: 083-3438060 | FAX: 033-336443

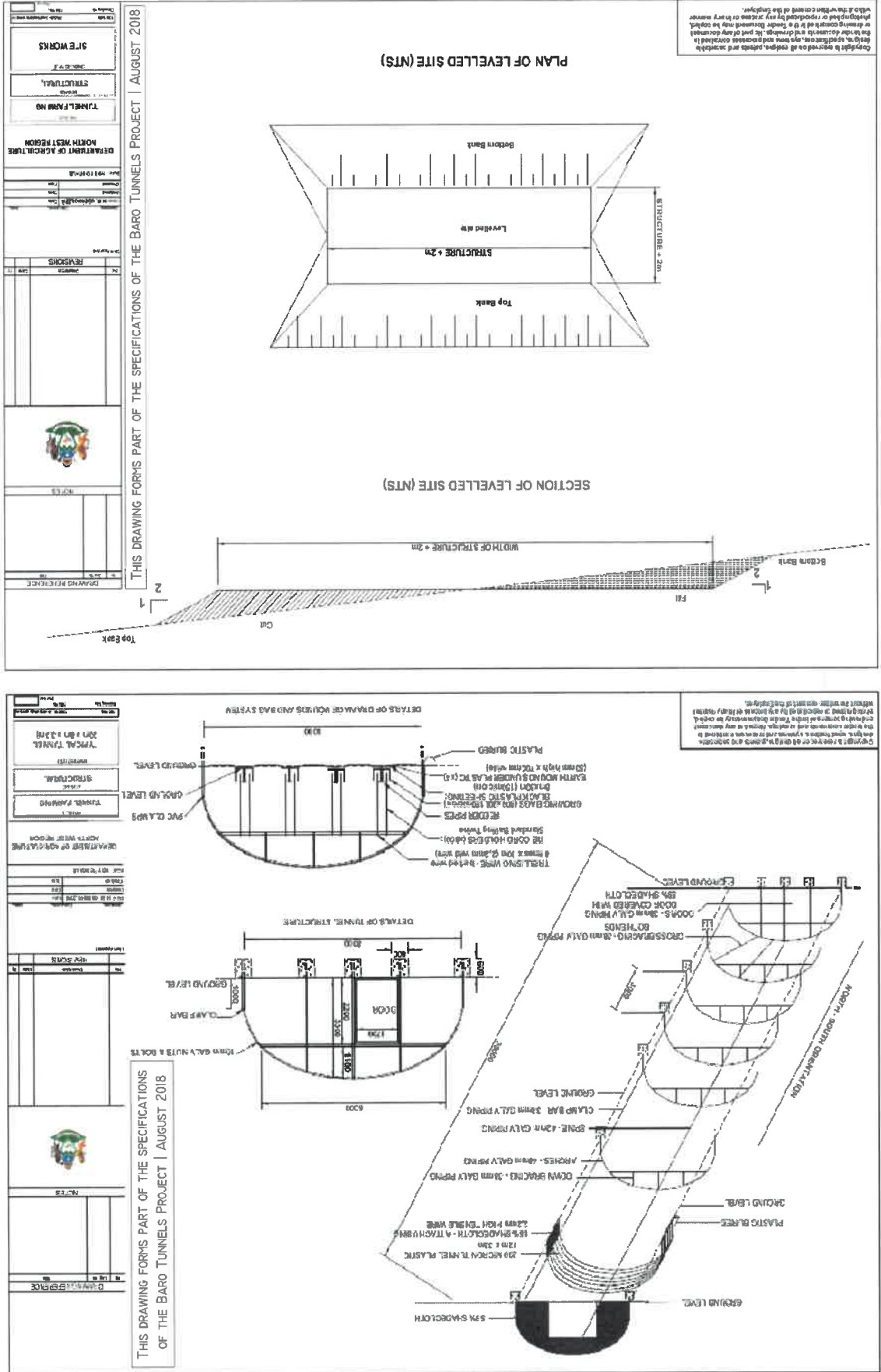
DATE: 17/10/2010 | SCALE: 1:135 (A4)

DRAWING REFERENCE:
 RDN/2010/037/TUN



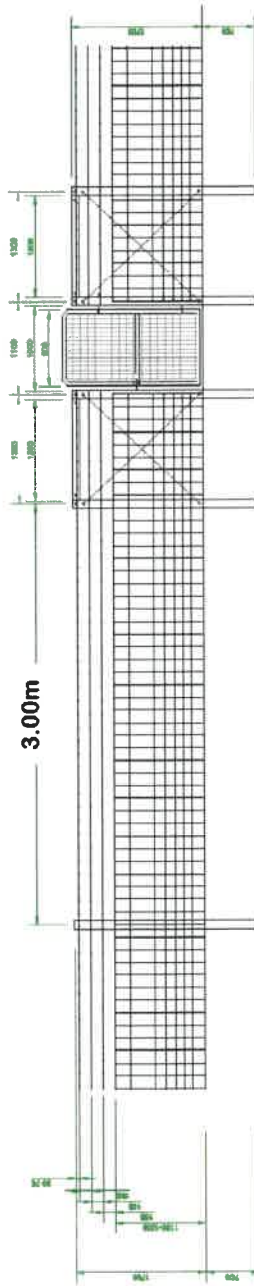
DRAWING 2

EXAMPLE OF A HYDROPONIC TUNNEL WITH STRAIGHT SIDES

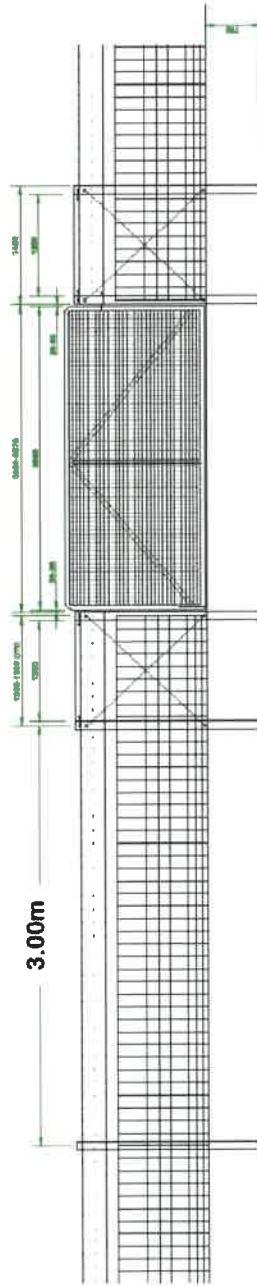




DRAWING 3 SPECIFICATIONS HINGE JOINT FENCING WITH BARBED WIRE AND RAZOR WIRE FLAT COILS (NOT SHOWN)



A FENCE LINE WITH PEDESTRIAN GATE



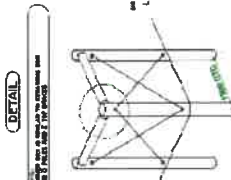
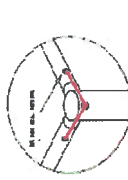
B FENCE LINE WITH SINGLE VEHICLE GATE



C FENCE LINE WITH DOUBLE TRACTOR GATE

NOTES

- 1) ALL POLES PREVIOUSLY TREATED CHEMICAL (NOT PAINTED ON), 2.4M X 100 - 120MM DIAMETER.
- 2) HINGED JOINTS TO BE 1.2M HIGHER, VERTICAL WIRE STRINGS TO BE 1.2M HIGHER.
- 3) WIRE STRINGS OF BARBED WIRE ABOVE THE HINGED JOINT FENCE TO BE 1.2M HIGHER.
- 4) BARBED WIRE ONLY TO BE 1.00M DIAMETER.
- 5) THE FENCE SHOULD BE SECURED ONTO THE HINGED JOINTS AND BEHIND BY STRIKING OF 3.15 X 32 MM STRAPLES.
- 6) THE STRAPLES TO BE INSTALLED OVER THE HINGED JOINTS TO BE 4.15 DEGREE ANGLE.
- 7) POLES 5.0M APART, TO BE PLACED IN HOLES 700MM DEEP AND VERY WELL COMPACTED WITH SOIL IN LAYER.
- 8) SLOTTED SOILS REQUIRE A REPLY OF SOIL CRETE + 10% SAND/AGGREGATE MIX.
- 9) POLES DRILLED THROUGH POLES AS SHOWN FOR TIES OR INSERT IN DRILLING.
- 10) BONES BRACED WITH MINIMUM DOUBLE 8 GA WIRE STRINGS TIED TO TENSION. SPACE OF WIRE 1500MM WIDE CTC. (CUT ONE 2.4M POLE IN HALF).
- 11) ONE BOX EACH SIDE OF GATE. DOUBLE BOX AT 90 DEGREE ANGLE AT CORNERS.
- 12) ADDITIONAL BOLTS AS REQUIRED, MIN. EVERY 100M.
- 13) ALL GATES TO BE CLAD WITH 50 X 100MM WOODENH.
- 14) USE WIRE STRAINER FOR TENSIONING OF STRINGS. ANCHOR END OF WIRE ON BOX BEFORE STRAINING.

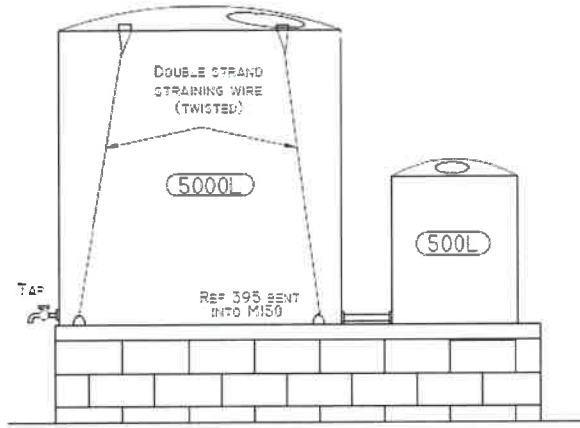


SPECIFICATIONS HINGED JOINT FENCING WITH GATES

DESIGN: R. de Meur
DRAWN BY: R. de Meur
DATE: 16 October 2013
SCALE: 1 : 50 (A3)

ENGINEERING SERVICES
4 PINNAC AVENUE / PRIVATE BAG 49008
MILTON / 3245 / PHONE: 023-3433500 / FAX: 023-438443

KZN DEPARTMENT OF AGRICULTURE
ENVIRONMENTAL AFFAIRS &
RURAL DEVELOPMENT



SIDE VIEW

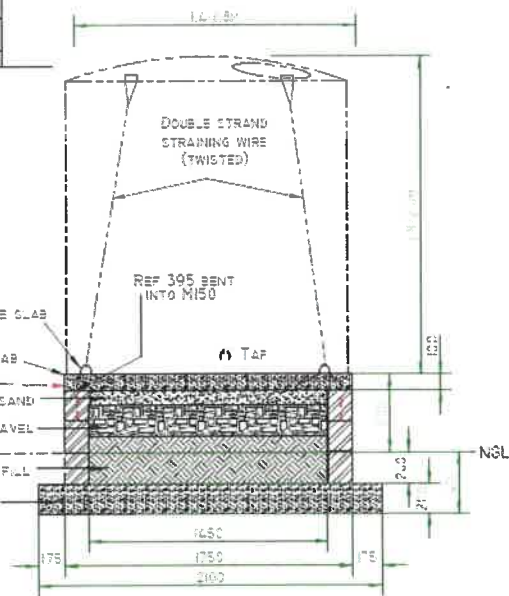
NOTES

1. DIMENSIONS OF THE TANK STANDS 2.95M x 1.75M x 0.70M (0.5M ABOVEGROUND). ALL BLOCKS MORTAR FILLED.
2. THREE COURSES OF BLOCKS ON 500 x 200MM 15 MPA STRIP FOUNDATION.
3. TANKS SECURED TO STAND WITH 4 TWISTED DOUBLE STRANDS OF STRAINING WIRE CONNECTED TO 4 Y8 STEEL STIRRUPS (LENGTH: 0.5M EACH) CAST IN FLOOR CONCRETE. STRANDS TO BE SLIGHTLY STRAINED.
4. CONNECTION WITH GUTTER WITH THREE 50MM DIAM. DOWNPIPE BENDS AND ONE 40MM DIAMETER STRAIGHT PVC PIECE. GLUED WITH PVC CEMENT AFTER INSPECTION OF CONNECTION.
5. BRASS LOCKABLE TAP WITH FITTINGS.

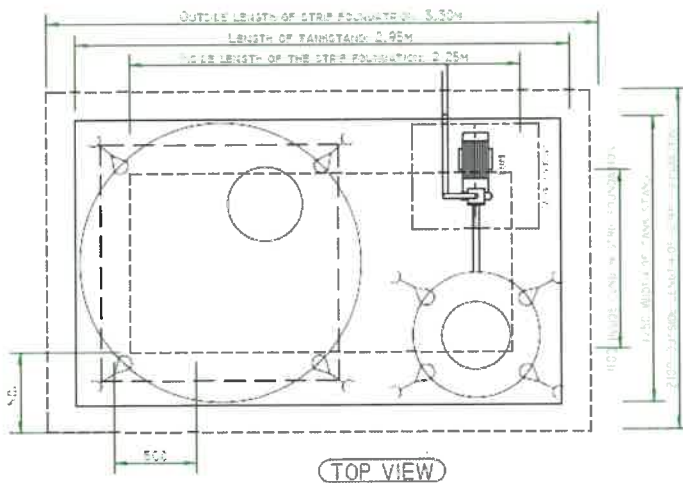
BILL OF QUANTITIES BUILDING MATERIALS

- 1) POCKETS OF CEMENT: 18
- 2) UMGENI SAND: 2.0 CU.M
- 3) BUILDING SAND: 0.1 CU.M
- 4) 19MM STONE: 2.7 CU.M
- 5) M150 BLOCKS: 74
- 6) Y8 REBAR 4.00M
- 7) REF 395 MESH 2.85 x 1.65M
- 8) GALV STEEL WIRE 35M x 2.0MM

- Y8 REBAR ANCHORED INTO CONCRETE SLAB
- 100MM 30MPA/19MM SLAB
- CONCRETE SLAB ON TOP OF WALLS
- 100MM LAYER OF SAND
- 200MM LAYER OF 19MM GRAVEL
- 300MM LAYER COMPACTED FILL
- STRIP FOUNDATION 15 MPA 500MM x 200MM



CROSS SECTION



TOP VIEW

30 MPA MIX:
2 BAGS OF CEMENT +
2 WHEELBARROWS SAND +
2.5 WHEELBARROWS STONE

15 MPA MIX:
2 BAGS OF CEMENT +
3 WHEELBARROWS SAND +
4 WHEELBARROWS STONE

THIS DRAWING FORMS PART OF THE SPECIFICATIONS OF THE BARO TUNNELS PROJECT | AUGUST 2018

<p>KZN DEPARTMENT OF AGRICULTURE & RURAL DEVELOPMENT</p>		<p>ENGINEERING SERVICES 4 PRYDAK AVENUE • PRIVATE BAG 25028 HILTON • 3248 (PHONE) • 033-3436100 FAX: 033-3418443</p>	<p>Design: R. de Neef Drawn by: R. de Neef Date: 21 June 2016</p>	<p>DRAWING NO. RDH20160121NUR SCALE (A4): 1:35 SCALE (A3): 1:25</p>	<p>TANK STAND 5000L + 500L TANKS</p>
---	--	---	---	---	---