



agriculture & rural development

Department:
agriculture
& rural development
PROVINCE OF KWAZULU-NATAL

INVITATION OF QUOTATION ABOVE R30,000.00

THIS FORM SHOULD BE COMPLETED IN DETAIL AND SHOULD BE ACCOMPANIED BY A **VALID TAX COMPLIANCE STATUS PIN AND VALID BBBEE VERIFICATION CERTIFICATE/AFFIDAVIT**

QUOTATION NUMBER: R/S/1819/1390	VALIDITY PERIOD OF QUOTATION..... Days (To be completed by the Supplier)
CLOSING DATE: 21/09/2018 21/09/2018	CLOSING TIME: 11H00
DESCRIPTION(SPECIFICATION/S) OF ITEMS/ SERVICE REQUIRED SUPPLY, DELIVER AND CONSTRUCTION OF 6 MUSHROOM STRUCTURES IN THE ETHEKWINI DISTRICT. SEE ATTACHED SPEC	COMPANY NAME: TEL NO: FAX NO: CONTACT PERSON: CSD REG NUMBER MAAA.....
DOES OFFER COMPLY WITH SPECIFICATION?	YES/NO (DELETE WHICH EVER IS NOT APPLICABLE)
DOES ARTICLE COMPLY WITH SABS SPECIFICATION? HAS IT BEEN INSPECTED BY SABS?	YES/NO YES/NO (DELETE WHICH EVER IS NOT APPLICABLE)
DELIVERY PERIOD AFTER INITIAL ORDER?	
IS THE PRICE FIRM	
WHERE ARE THE STOCK HELD? (PHYSICAL ADDRESS, PLEASE)	
QUOTATION PRICE INCLUDING VAT (VAT TO BE ADDED BY REGISTERED VAT VENDORS ONLY)	TOTAL: R
COMPANY OFFICIAL STAMP (COMPULSORY) SIGNATURE OF BIDDER DATE
NUMBER OF PAGES FAXED BACK TO THE DEPARTMENT BY THE SUPPLIER(Supplier to complete)

NB: DOCUMENT TO BE DEPOSITED AT THE BID BOX SCM-CEDARA TENDER BOX. NO FAXED QUOTATIONS WILL BE ACCEPTED

TEL: NUMBER **033 355 9366**
CONTACT PERSON **KHETHI GUMEDE**

NB: THE ATTACHED SBD4 & SBD9 FORMS MUST BE COMPLETED IN FULL. THIS QUOTATION COVER PAGE MUST BE COMPLETED AND RETURN WITH ALL YOUR QUOTATION DOCUMENT.

COMPANY NAME :
 ADDRESS :
 CONTACT PERSON :
 CONTACT NUMBER :
 FAX NUMBER :

Line	Description or specification of item (Please be very specific and clear)	Required quantity	UNIT price exclu. vat		Total Price Line	
			R	C	R	C
	According to departmental design and specifications as per attached bid documents: supply, deliver and construct 6 MUSHROOM structures		R	C	R	C
A) POLES (CCA TREATED)						
1	2.70m x 100-125mm	66				
2	5.40m x 100-125mm	42				
B) STEEL						
3	Hoop irons (galv) 600mm x 30mm x 1.6mm	60				
4	Round head nails (galv) 50mm for hoop irons	3				
5	Round head nails (galv) 1260mm for hoop irons	3kg				
6	Binding wire 3.15mm fully galv. 5kg/80m	60kg				
7	Staples (galv) 32mm for binding wire	6kg				
8	Stainless steel tying wire 1.2mm	3				
9	Steel pedestrian door 900 x 1800mm, with hinged eye bolts and latch.	6				
C) SHADE CLOTH & MISCELLANEOUS						
10	80% Shade cloth (green). Roll of 50 x 3.00m.	6				
11	Twine to weave shade cloth lanes and to make hem for pole for entry curtain	600				
12	Tie binds 150mm to tie shade cloth to	900				
13	Tie binds 400mm to tie shade cloth to binding	300				
14	Plastic conduit 25mm diameter for arches (2.5m) and arch connectors (4.00m)	600				
15	Delivery to site	1				
16			SUB-TOTAL			
17			VAT 15%			R
18			TOTAL			R

*VAT Registration No. (Supplier) -----

When Required (Requester): As soon as possible

Where Required (Requester): INCHANGA LOCAL OFFICE

Contact details of requester: MS B.P MSIBI

Tel: 076 821 6558

(COMPULSORY)

COMPANY STAMP

PRICES ARE VALID FOR

30	60	90
----	----	----

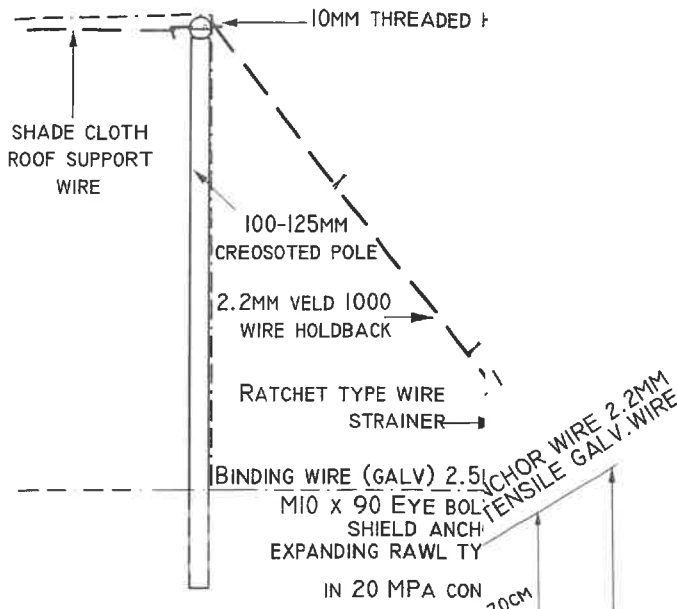
 DAYS

Mark one Box (X)

SIGNATURE

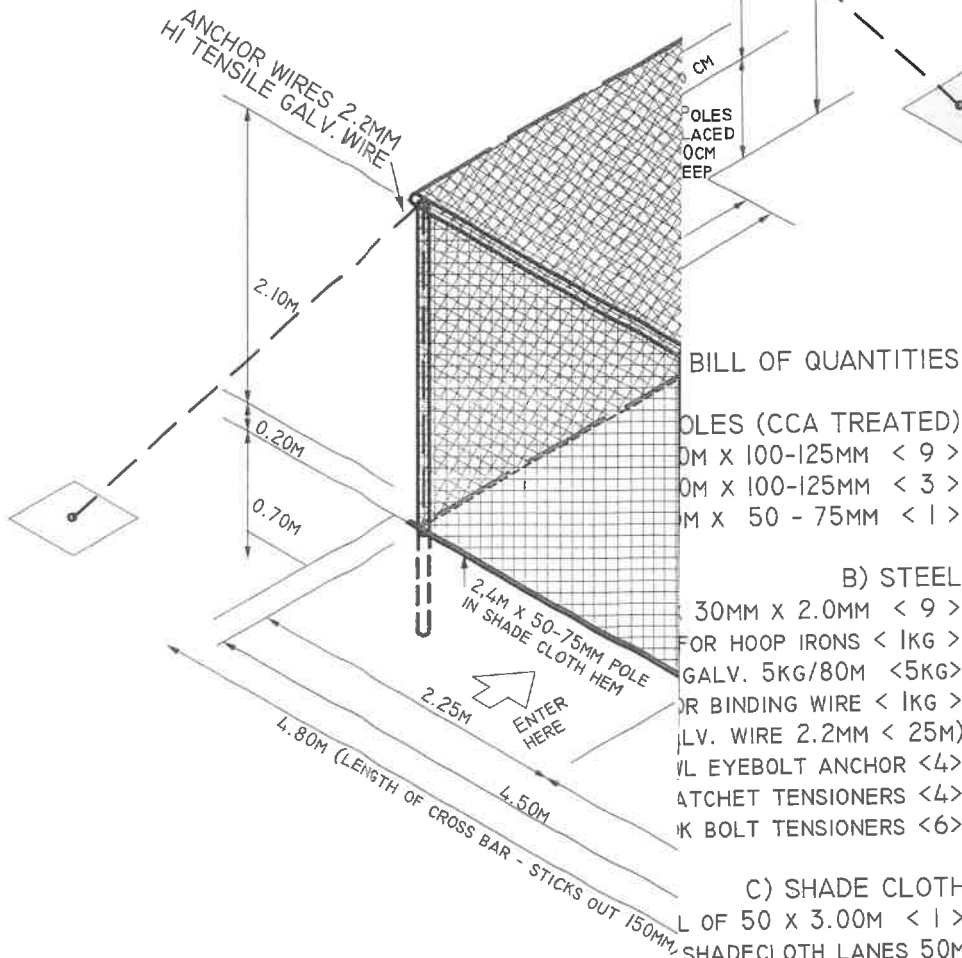
DATE

NOTES



ANCHORING DETAIL

NTS



BILL OF QUANTITIES

- POLES (CCA TREATED)
- 100MM x 100-125MM < 9 >
- 100MM x 100-125MM < 3 >
- 50MM x 50 - 75MM < 1 >

B) STEEL

- 30MM x 2.0MM < 9 >
- FOR HOOP IRONS < 1KG >
- GALV. 5KG/80M < 5KG >
- OR BINDING WIRE < 1KG >
- GALV. WIRE 2.2MM < 25M >
- M10 EYEBOLT ANCHOR < 4 >
- RATCHET TENSIONERS < 4 >
- M10 BOLT TENSIONERS < 6 >

C) SHADE CLOTH

- 50 x 3.00M < 1 >
- SHADECLOTH LANES 50M

D) CONCRETE

- 4. BAGS OF CEMENT < 3 >
- 1GENI SAND (200L/3WB)
- 300MM STONE (300L/5WB)

REVISIONS

No.	DATE	DESCRIPTION	BY	CHECKED
1	26/02/2018	ANCHOR WIRES	RdN	

KZN DEPARTMENT OF AGRICULTURE & RURAL DEVELOPMENT



ENGINEERING SERVICES

4 PINOAK AVENUE / PRIVATE BAG X6005
HILTON / 3245 / PHONE : 033-3438300
FAX : 0333438443

CHECKED FOR KZN DARD

PR. ENGINEER _____ DATE _____

CLIENT: _____

MUSHROOM NURSERY

ISOMETRIC VIEW

USE: FOOD SECURITY PROGRAMME

DRAWN	R. DE NEEF	SURVEYED	
DATE	10/07/2017	DESIGNED	R. DE NEEF
SCALE	1 : 60	CHECKED	

DRAWING NUMBER	INITIALS	YEAR	SEQ. NO.	CAT.
	RdN	2017	027	NUR

STEEL DOOR 900 X 1800 WITH
STEEL MESH, PLUS SHADECLOTH

NURSERY HEIGHT: 2.10M

2.10M

5.40M (=LENGTH OF CROSS BAR)

HINGED JOINT FIX
ALL AROUND THE
ONE LINE IN CENTR.
SUPPORT (NOT SHOW

L OF QUANTITIES

S (CCA TREATED)
100-125MM < 11 >
100-125MM < 7 >

B) STEEL
MM X 2.0MM < 10 >
OP IRONS < 0.5KG >
BRACES < 0.5KG >
1. 5KG/80M <10KG>
& HJ FENCE < 1KG >
900 X 1800MM, WITH
E BOLTS AND LATCH.
1.2MM <50M/0.5KG>

& MISCELLANEOUS
F 50 X 3.00M < 1 >
CLOTH LANES <100M>
BINDING WIRES <150>
LOTH TO POLES <50>
MM DIAMETER <100M>

NOTES

- 1) SHADECLOTH TO BE TIED TO BINDING WIRES WITH TIE BINDS SPACED AT 1.00M APART
- 2) THIS DRAWING IS TO BE READ IN CONJUNCTION WITH DRAWING RDN/2018/008/NUR.

REVISIONS

No.	DATE	DESCRIPTION	BY	CHECKED
1	26/02/2018	ANCHOR WIRES	RdN	

KZN DEPARTMENT
OF AGRICULTURE &
RURAL DEVELOPMENT



ENGINEERING SERVICES

4 PINOAK AVENUE / PRIVATE BAG X6005
HILTON / 3245 / PHONE : 033-3438300
FAX : 0333438443

CHECKED FOR KZNDARD

PR. ENGINEER

DATE

CLIENT:

DRAWING 1

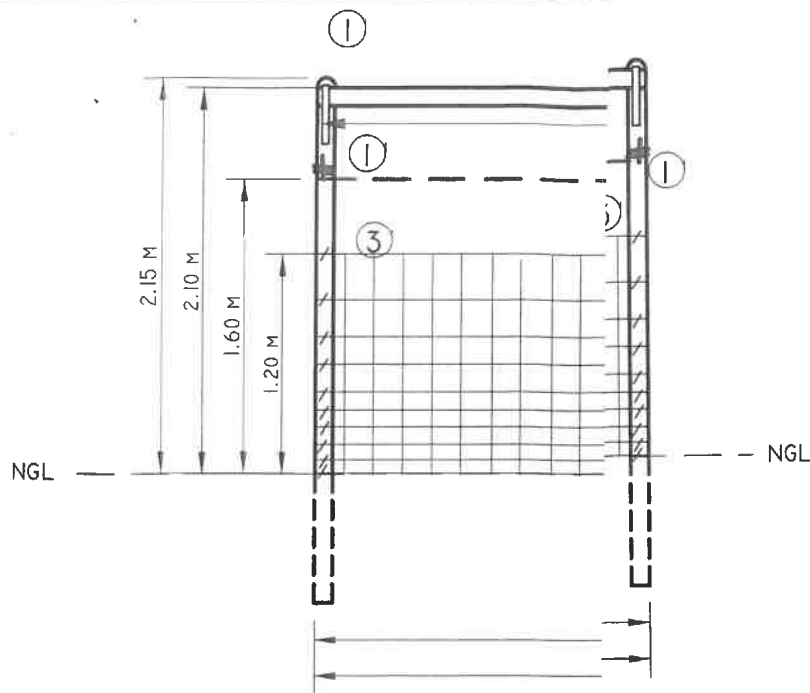
MUSHROOM
NURSERY

ISOMETRIC VIEW

USE: FOOD SECURITY PROGRAMME

DRAWN	R. DE NEEF	SURVEYED	
DATE	10/07/2017	DESIGNED	R. DE NEEF
SCALE	1 : 60	CHECKED	

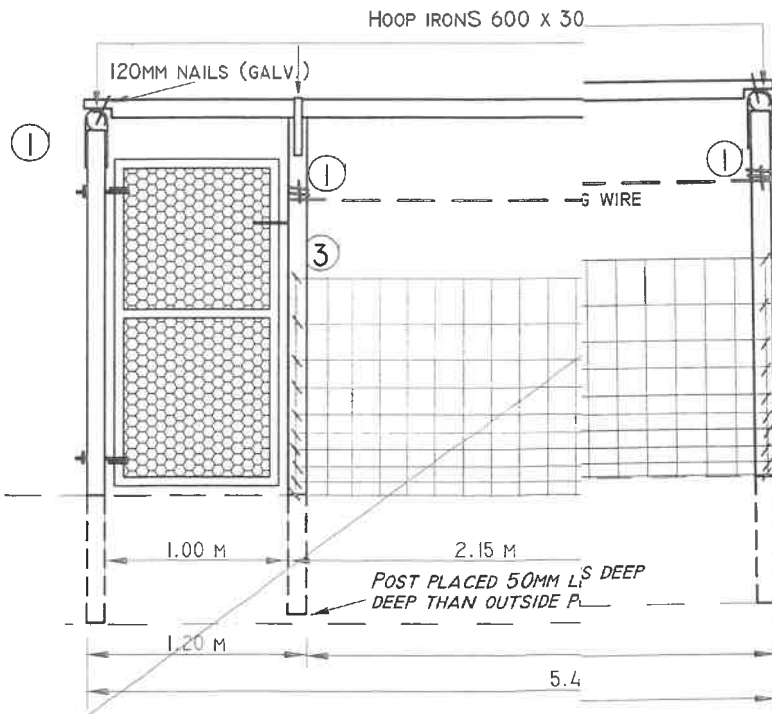
DRAWING NUMBER	INITIALS	YEAR	SEQ. NO.	CAT.
RDN	2017	27	R	NUR



KEY FOR BINDING WIRE CONNECTIONS TO

- ① WIND TWICE AROUND THE POST/CROSSBAR & ONTO POLE WITH 2 STAPLES
- ② WIND ONCE AROUND THE POST AND FIX ONTO WITH 1 STAPLE
- ③ FIX ONTO POST/BRACE/CROSS BAR WITH 1 S

HJ FENCE < 1KG >
TH



FRONT E

NOTES

- 1) THIS DRAWING MUST BE READ IN CONJUNCTION WITH DRAWINGS RDN/2017/027/NUR RDN/2018/008/NUR
- 2) NO CONCRETE FOOTING REQUIRED FOR THE POLES.

REVISIONS

No.	DATE	DESCRIPTION	BY	CHECKED
1	26/02/2018	ANCHOR WIRES	RdN	

KZN DEPARTMENT OF AGRICULTURE & RURAL DEVELOPMENT



ENGINEERING SERVICES

4 PINOAK AVENUE / PRIVATE BAG X6005
HILTON / 3245 / PHONE : 033-3438300
FAX : 0333438443

CHECKED FOR KZNDARD

PR. ENGINEER

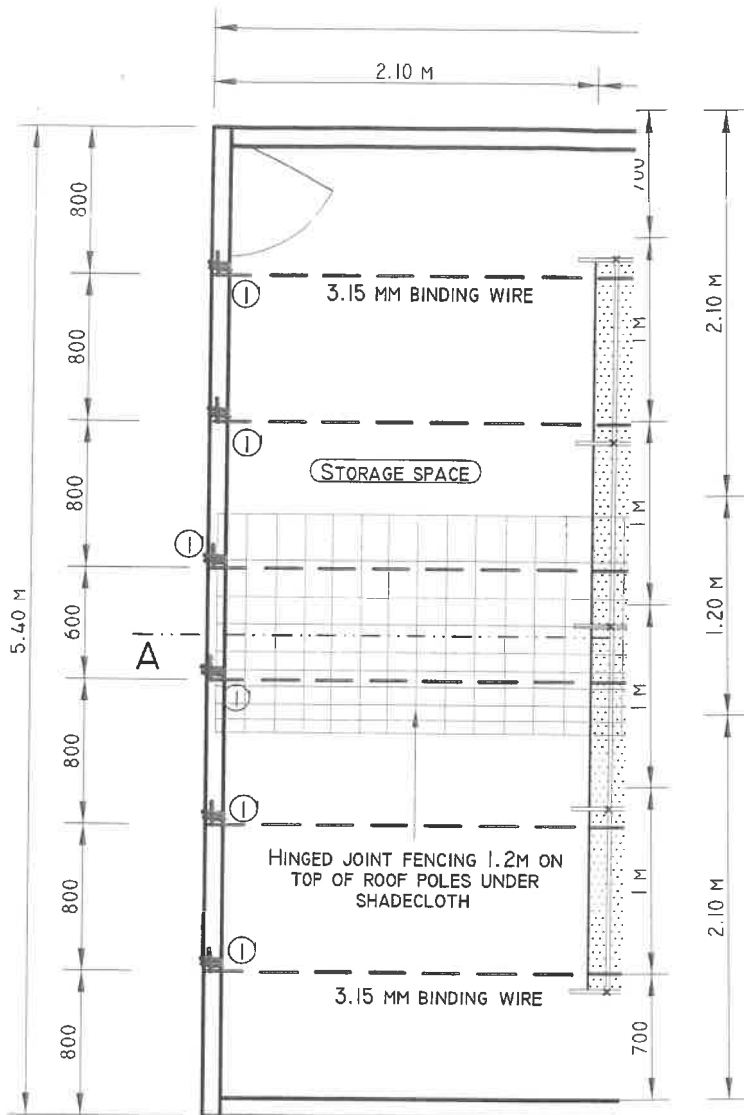
DATE

CLIENT:

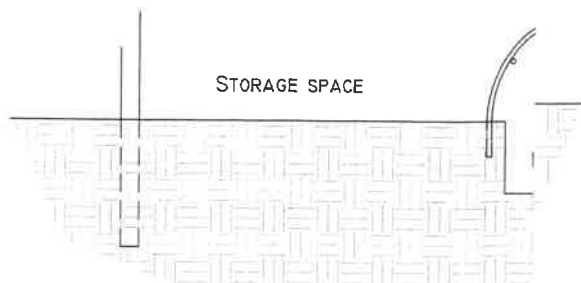
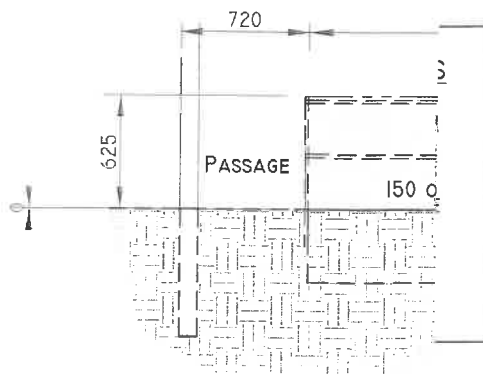
**DRAWING 2
MUSHROOM NURSERY
ELEVATIONS**

USE: FOOD SECURITY PROGRAMME

DRAWN	R. DE NEEF	SURVEYED	
DATE	28/02/2018	DESIGNED	R. DE NEEF
SCALE	1 : 30	CHECKED	
DRAWING NUMBER	RDIN 2018	YEAR	007 NUR
		SEQ. NO.	CAT.



DISTANCE BETWEEN ROOF WIRES



LOCATION OF HINGED JOINT FENCE ON ROOF

NOTES

- 1) THIS DRAWING MUST BE READ IN CONJUNCTION WITH DRAWINGS RDN/2017/27R/NUR & RDN/2018/007/NUR
- 2) NO CONCRETE FOOTING REQUIRED FOR THE POLES.
- 3) FOR BOQ SEE DRAWING RDN/2018/007/NUR

REVISIONS

No.	DATE	DESCRIPTION	BY	CHECKED
1	26/02/2018	ANCHOR WIRES	RdN	

KZN DEPARTMENT OF AGRICULTURE & RURAL DEVELOPMENT



ENGINEERING SERVICES

4 PINOAK AVENUE / PRIVATE BAG X6005
 HILTON / 3245 / PHONE : 033-3438300
 FAX : 0333438443

CHECKED FOR KZNDARD

PR. ENGINEER

DATE

CLIENT:

**DRAWING 3
 MUSHROOM
 NURSERY
 PLAN + SECTIONS**

USE: FOOD SECURITY PROGRAMME

DRAWN	R. DE NEEF	SURVEYED	
DATE	06/03/2018	DESIGNED	R. DE NEEF
SCALE	1 : 30	CHECKED	

DRAWING NUMBER	INITIALS	YEAR	SEQ. NO.	CAT.
RDN2018008NUR				